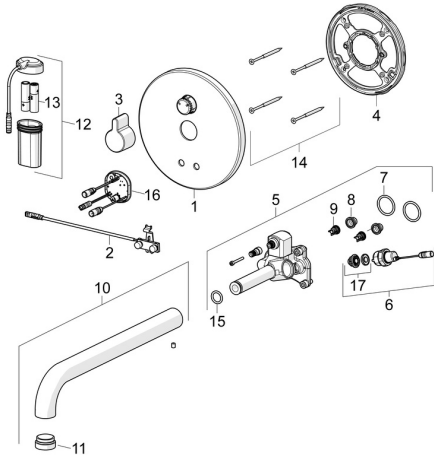


EAN: 4057304004858
static.hansa.com/81812121

Spare parts

SP81812121



	Name	Code
01	Cover plate, d 170 mm Chrome	59914553
02	Sensor	59914648
03	Handle Chrome	59914322
04	Fixing part Discontinued	59914554
05	Functional unit	59914555
06	Solenoid valve complete, 3 V	59914125
07	O-ring, 23.47x2.62	59914304
08	Litter filters	59914085
09	Non-return valve, DN8	59914030
10	Spout, L=310 Chrome	59914549
11	Aerator, M24x1, -105	59914550
12	Battery casing	59914122
13	Battery, 1.5 V AA Lithium	59914136
14	Screw, M4.5x80	59912890
15	O-ring, d 13.1x2.62	59914551
16	Control unit, 3 V	59914552
17	Membrane for solenoid valve	1006500V
17	Membrane Discontinued	59914126