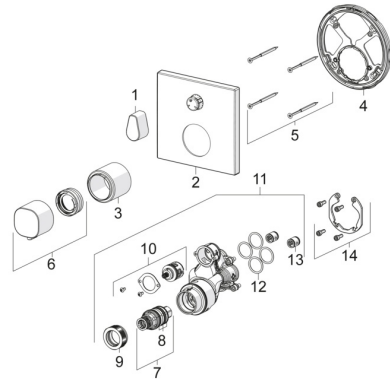


EAN: 4015474278967
static.hansa.com/81139562

Spare parts

SP81139562



	Name	Code
01	Flow control handle Chrome	59914577
02	Cover flange, 150x150 mm Chrome	59914315
03	Cover sleeve Chrome	59914294
04	Fixing part	59914307
05	Screw, M4,5x80	59912890
06	Temperature control handle Chrome	59914295
07	Thermostatic cartridge, 3.4	59914114
08	O-ring kit	59914113
09	Tightening nut, M36x1.5, SW38	59914319
10	Diverter	59914183
11	Functional unit, (8114, 8862)	59914311
11	Functional unit, (8113, 8861)	59914316
12	O-ring, 23.47x2.62	59914304
13	Non-return valve	59905714
14	Installation kit	59914186
N.I.	Raising kit, 15 mm, 150x150 mm	59914192
N.I.	Adapter, H/C reversed	59914184
N.I.	Raising kit, 15 mm	59914182
N.I.	Fixing screw, M6x13	59914657
N.I.	Diverter, 240°	59914656
N.I.	Temperature adjustment limiter, max 38°C	59914619
N.I.	Diverter, 120°	59914655