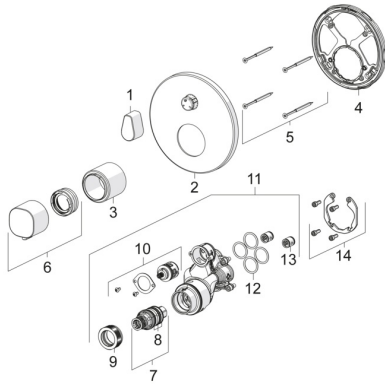


EAN: 4015474278974
static.hansa.com/81139552

Spare parts

SP81139552



| | Name | Code |
|------|--|----------|
| 01 | Flow control handle Chrome | 59914577 |
| 02 | Cover flange, d 170 mm Chrome | 59914317 |
| 03 | Cover sleeve Chrome | 59914294 |
| 04 | Fixing part | 59914307 |
| 05 | Screw, M4,5x80 | 59912890 |
| 06 | Temperature control handle Chrome | 59914295 |
| 07 | Thermostatic cartridge, 3.4 | 59914114 |
| 08 | O-ring kit | 59914113 |
| 09 | Tightening nut, M36x1.5, SW38 | 59914319 |
| 10 | Diverter | 59914183 |
| 11 | Functional unit, (8114, 8862) | 59914311 |
| 11 | Functional unit, (8113, 8861) | 59914316 |
| 12 | O-ring, 23.47x2.62 | 59914304 |
| 13 | Non-return valve | 59905714 |
| 14 | Installation kit | 59914186 |
| N.I. | Raising kit, 15 mm, d 170 mm | 59914191 |
| N.I. | Adapter, H/C reversed | 59914184 |
| N.I. | Raising kit, 15 mm | 59914182 |
| N.I. | Fixing screw, M6x13 | 59914657 |
| N.I. | Diverter, 240° | 59914656 |
| N.I. | Temperature adjustment limiter, max 38°C | 59914619 |
| N.I. | Diverter, 120° | 59914655 |