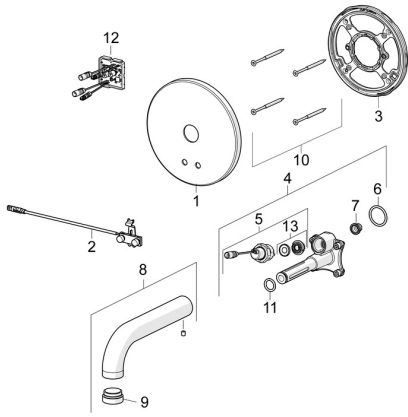


EAN: 4057304008498
static.hansa.com/80802100

Spare parts



SP80802100

	Name	Code
01	Cover plate Chrome	59914543
02	Sensor	59914647
03	Fixing part Discontinued	59914545
04	Functional unit	59914546
05	Solenoid valve complete, 3 V	59914125
06	O-ring, 23.47x2.62	59914304
07	Litter filters	59914085
08	Spout, L=170 Chrome	59914547
09	Aerator, M24x1, -105	59914550
10	Screw, M4.5x80	59912890
11	O-ring, d 13.1x2.62	59914551
12	Control unit, 12 V	59914560
13	Membrane for solenoid valve	1006500V
13	Membrane Discontinued	59914126