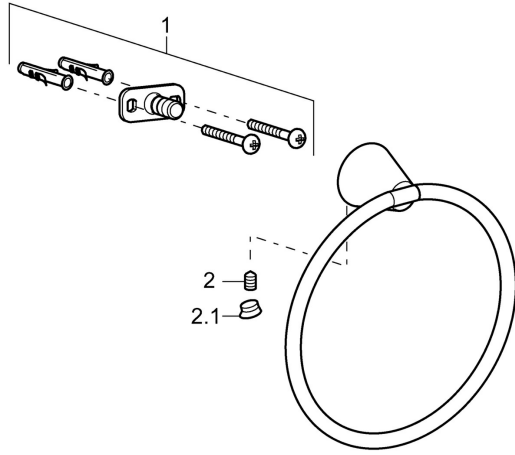


EAN: 4015474207257  
[static.hansa.com/51310970](http://static.hansa.com/51310970)

## Spare parts



### SP51310970

	Name		Code
1	Fixing set	Discontinued	59912081
2	Pin, M5x8	Discontinued	59912082
2.1	Cover plug Chrome	Discontinued	59912083