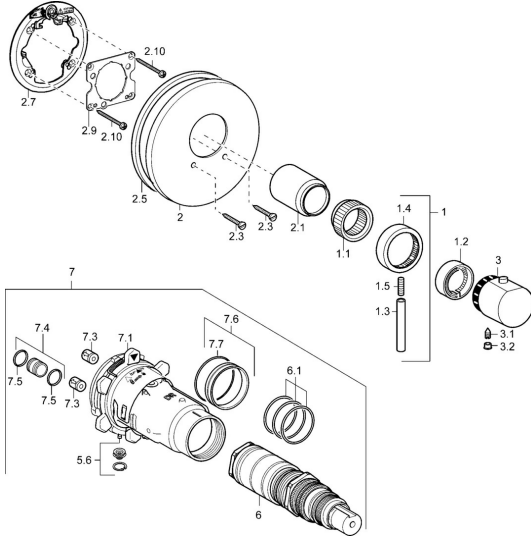


EAN: 4015474112742  
[static.hansa.com/41139042](https://static.hansa.com/41139042)

## Spare parts



### SP41139042

	Name	Code
1	Lever Chrome <b>Discontinued</b>	59912941
1.1	Adapter	59912894
1.2	Temperature adjustment limiter Chrome	59912893
1.3	Lever, 80 mm Chrome	59912128
1.4	Flow control handle Chrome	59912130
1.5	Screw, M6x20	59911228
2	Cover flange, d 135 / d 56 mm Chrome <b>Discontinued</b>	59912882
2	Cover flange, d 170/56 mm Chrome <b>Discontinued</b>	59912928
2	Cover flange, d 56 mm	59913078
2.1	Covering cap Chrome <b>Discontinued</b>	59912896
2.3	Screw, M5x25 Chrome	59912881
2.5	Rubber gasket	59913045
2.7	Fixing part	59912888
2.9	Fixing plate	59913034
2.10	Screw, M4,5x80	59912890
3	Temperature control handle Chrome	59912126
3.1	Screw, M6x9,5	59901609
3.2	Cover plug Chrome	59911840
5.6	Plug	59912981
6	Thermostatic cartridge, 1/2" Varox	59912843
6.1	O-ring, d 26x2	59911081
7	Functional unit <b>Discontinued</b>	59912904
7	Functional unit, H/C reversed <b>Discontinued</b>	59912979
7.1	Blind nut	59912984
7.3	Non-return valve	59905714
7.4	Connection nipple, (2014-)	59913885
7.5	O-ring, d 14x2	59912982
7.6	Ring	59912989
7.7	O-ring, 50,52x1,78	59906841
N.I.	Raising kit, 20 mm	59912754
N.I.	Rebound pin	59912005