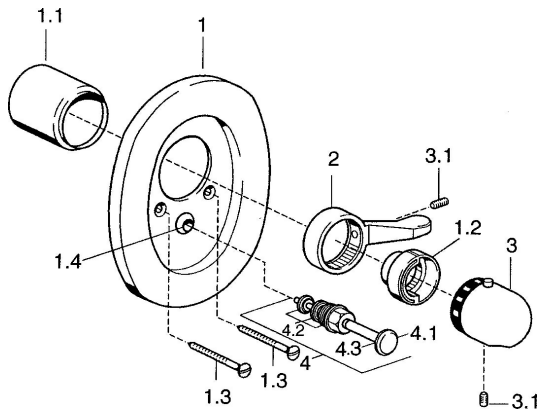


EAN: 4015474526273  
[static.hansa.com/08629195](https://static.hansa.com/08629195)

## Spare parts

### SP08629195



|      | Name   | Code     |
|------|--|----------|
| 1.1  | Covering cap White <b>Discontinued</b>               | 59911572 |
| 1.1  | Covering cap Chrome                                  | 59911570 |
| 1.2  | Temperature adjustment limiter Chrome                | 59906355 |
| 1.3  | Screw, M5x65 White <b>Discontinued</b>               | 59906672 |
| 1.3  | Screw, M5x65 Chrome                                  | 59904847 |
| 1.4  | Flow limiting cap                                    | 59904846 |
| 2    | Lever White <b>Discontinued</b>                      | 59906138 |
| 2    | Lever Chrome   | 59905722 |
| 3    | Temperature control handle White <b>Discontinued</b> | 59910306 |
| 3    | Temperature control handle Chrome                    | 59910304 |
| 3.1  | Screw, M6x9.5  | 59901609 |
| 4    | Diverter Chrome                                      | 59910900 |
| 4    | Diverter White <b>Discontinued</b>                   | 59910901 |
| 4.1  | Push button Chrome                                   | 59904828 |
| 4.2  | Sealing kit  | 59904791 |
| 4.3  | O-ring, d 4x1  | 59902331 |
| N.I. | Raising kit, 35 mm                                   | 59911438 |