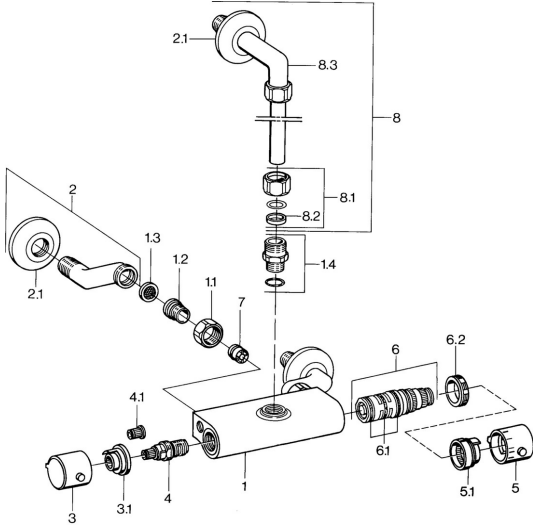


EAN: 4015474675070
static.hansa.com/08340301

Spare parts

SP08340301



| | Name | Code |
|-----|---|----------|
| 1.1 | Connection nut, G3/4, AF30 | 59902230 |
| 1.2 | Nipple | 59911075 |
| 1.3 | Filter sealing, G3/4 | 59911076 |
| 1.4 | Connection nipple Discontinued | 59901650 |
| 2 | Eccentric Chrome | 59902036 |
| 3 | Flow control handle Chrome Discontinued | 59911381 |
| 3.1 | Fixing ring Discontinued | 59911078 |
| 4 | Headpart, G1/2, 180° | 59911103 |
| 4.1 | Adapter White | 59910235 |
| 5 | Temperature control handle Chrome Discontinued | 59911379 |
| 5.1 | Retaining ring Discontinued | 59911079 |
| 6 | Thermostatic cartridge Discontinued | 59911080 |
| 6.1 | O-ring, d 26x2 | 59911081 |
| 6.2 | Tightening nut, M34x1, SW32 | 59911082 |
| 7 | Non-return valve | 59905714 |
| 8 | Coupling pipe | 59901431 |
| 8.1 | Lock nut Discontinued | 59905857 |
| 8.3 | Angle coupling Discontinued | 59905587 |