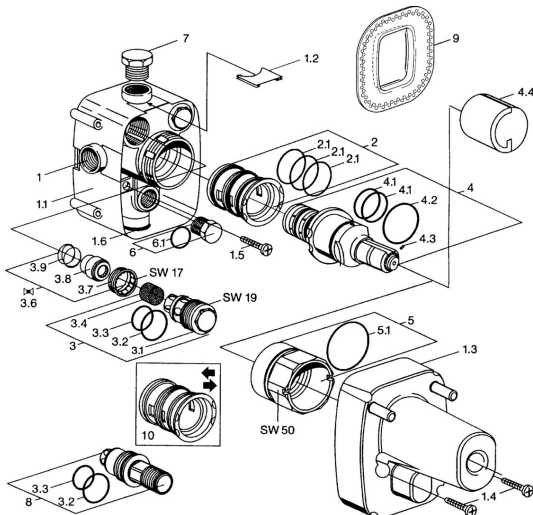


EAN: 4015474681514  
[static.hansa.com/08040190](http://static.hansa.com/08040190)

## Spare parts

### SP08040190



	Name	Code
1.1	Installation box <span style="background-color: #cccccc;">Discontinued</span>	59911500
1.2	Plug <span style="background-color: #cccccc;">Discontinued</span>	59911501
1.3	Protective cap <span style="background-color: #cccccc;">Discontinued</span>	59911502
1.4	Screw, M5x25 <span style="background-color: #cccccc;">Discontinued</span>	59911503
1.5	Screw, 5.5x33 <span style="background-color: #cccccc;">Discontinued</span>	59911504
1.6	Form sealing <span style="background-color: #cccccc;">Discontinued</span>	59911505
2	Adapter	59911514
2.1	O-ring, d 40x2	59911507
3	Maintenance set, (-2003)	59911508
3	Maintenance set, (2003-)	59694623
3.2	O-ring, d 25x2.5	59905053
3.3	O-ring, d 23x1	59911509
3.4	Strainer	59911510
3.6	Shut-off valve	59911511
4	Thermostatic cartridge, G1/2	59901640
4.1	O-ring, d 27x2	59901532
4.2	O-ring, 35x2.5	59905020
4.3	Screw, M4x4	59901027
4.4	Fixing sleeve	59911515
5	Eye screw, M52x1, SW 50	59911516
5.1	O-ring, 50.52x1.78	59906841
6	Plug <span style="background-color: #cccccc;">Discontinued</span>	59905012
6.1	O-ring, d 18x2	59901422
7	Plug, G1/2	59905013
8	Flush connector <span style="background-color: #cccccc;">Discontinued</span>	59911419
9	Gasket ring	59911418
10	Adapter, H/C reversed <span style="background-color: #cccccc;">Discontinued</span>	59911430
N.I.	Tool	59914066
N.I.	Raising kit, 35 mm	59911438