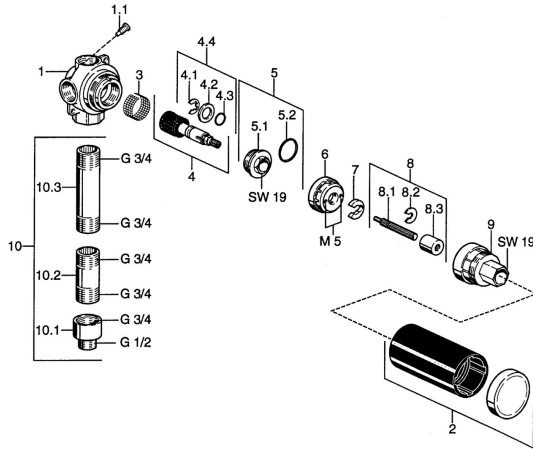


EAN: 4015474676855
static.hansa.com/02850100

Spare parts



SP02850100

| | Name | Code |
|------|--|----------|
| 1.1 | Fixing screw, M6x12, AF2.5 | 59904804 |
| 2 | Cover sleeve | 59911745 |
| 3 | Strainer | 59910074 |
| 4 | Diverter | 59911746 |
| 4.4 | Fixing set | 59910076 |
| 5 | Screw | 59910077 |
| 5.2 | O-ring, d 23.5x1.78 | 59905101 |
| 6 | Conic sleeve | 59911747 |
| 7 | Retainer ring | 59911748 |
| 8 | Spindle | 59911749 |
| 8.2 | Ring | 59910694 |
| 8.3 | Adapter | 59912318 |
| 9 | Inner sleeve | 59911750 |
| 10.1 | Adapter, G3/4xG1/2 Discontinued | 59911751 |
| 10.2 | Thread nipple, 60 mm Discontinued | 59911752 |
| 10.3 | Thread nipple, 100 mm Discontinued | 59911753 |
| N.I. | Raising kit, 70.5-105.5 mm Chrome | 59911653 |