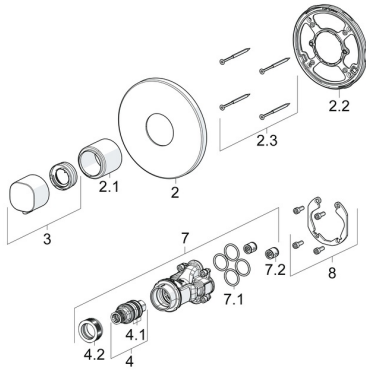


EAN: 4015474287198  
[static.hansa.com/88669501](https://static.hansa.com/88669501)

## Spare parts



### SP88669501

	Name	Code
1.1	Temperature adjustment limiter	59914426
2	Cover flange, d 170 mm Chrome	59914318
2.1	Cover sleeve Chrome	59914294
2.2	Fixing part	59914296
2.3	Screw, M4,5x80	59912890
3	Temperature control handle Chrome	59914295
4	Thermostatic cartridge, 3.4	59914114
4.1	O-ring kit	59914113
4.2	Tightening nut, M36x1.5, SW38	59914319
7	Functional unit	59914293
7.1	O-ring, 23.47x2.62	59914304
7.2	Non-return valve	59905714
8	Installation kit	59914186
N.I.	Adapter, H/C reversed	59914184
N.I.	Raising kit, 15 mm	59914182
N.I.	Silencer	59904792
N.I.	Fixing screw, M6x13	59914657
N.I.	Temperature adjustment limiter, max 38°C	59914619
N.I.	Raising kit, 15 mm, d 170 mm	59914191