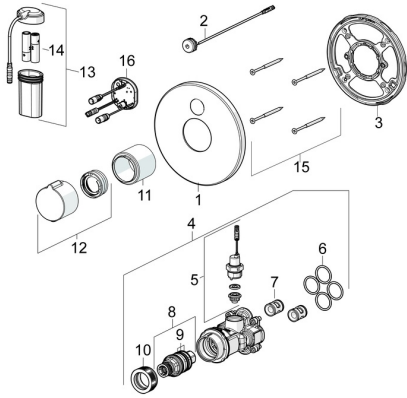


EAN: 4057304004889
static.hansa.com/81919001

Spare parts

SP81919001



	Name	Code
01	Cover plate, d 170 mm Chrome	59914556
02	Push button, 3 V Discontinued	59914557
03	Fixing part	59914296
04	Functional unit	59914558
05	Solenoid valve complete, 3 V	59914125
06	O-ring, 23.47x2.62	59914304
07	Non-return valve	59905714
08	Thermostatic cartridge, 3.4	59914114
09	O-ring kit	59914113
10	Tightening nut, M36x1.5, SW38	59914319
11	Cover sleeve Chrome	59914294
12	Temperature control handle Chrome	59914320
13	Battery casing	59914122
14	Battery, 1.5 V AA Lithium	59914136
15	Screw, M4.5x80	59912890
16	Control unit, 3 V	59914552