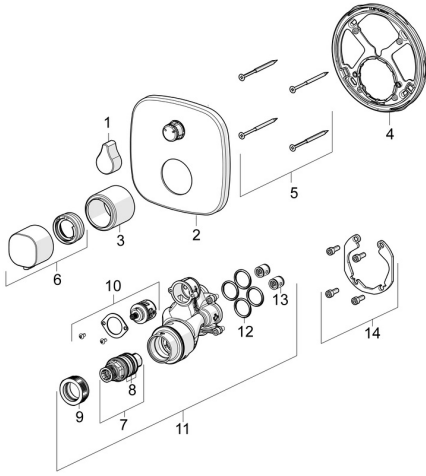


EAN: 4057304004742
static.hansa.com/81139572

Spare parts

SP81139572



	Name	Code
01	Flow control handle Chrome	59914577
02	Cover plate, 154x154 mm Chrome	59914578
03	Cover sleeve Chrome	59914294
04	Fixing part	59914307
05	Screw, M4.5x80	59912890
06	Temperature control handle Chrome	59914295
07	Thermostatic cartridge, 3.4	59914114
08	O-ring kit	59914113
09	Tightening nut, M36x1.5, SW38	59914319
10	Diverter	59914183
11	Functional unit, (8113, 8861)	59914316
12	O-ring, 23.47x2.62	59914304
13	Non-return valve	59905714
14	Installation kit	59914186
15	Diverter, 240°	59914656
N.I.	Raising kit, 15 mm	59914182
N.I.	Temperature adjustment limiter	59914426
N.I.	Diverter, 120°	59914655
N.I.	Adapter, H/C reversed	59914184