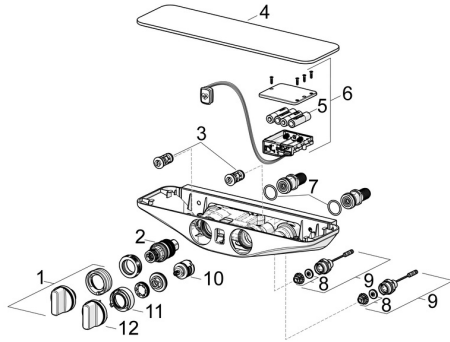


EAN: 4057304008757
static.hansa.com/5863017282

Spare parts

SP5863017282



	Name	Code
01	Temperature control handle Chrome	59914596
02	Thermostatic cartridge, 3.4	59914114
03	One-way valve with litter screen	59913696
03	One-way valve with litter screen, (9/2018-)	59914727
04	Cover plate White	59914598
05	Battery, 1.5 V AA Lithium	59914136
06	Control unit, 6 V /Wellfit/Bluetooth	59914630
07	O-ring, 25.07x2.62	59911479
08	Membrane for solenoid valve	1006500V
08	Membrane support ring Discontinued	59914090
09	Solenoid valve, 6 V	59914091
10	Diverter	59914183
11	Flow limiter Discontinued	59914632
12	Flow control handle Chrome Discontinued	59914599
N.I.	Adapter	03990100
N.I.	Connector, G1/2	59911491