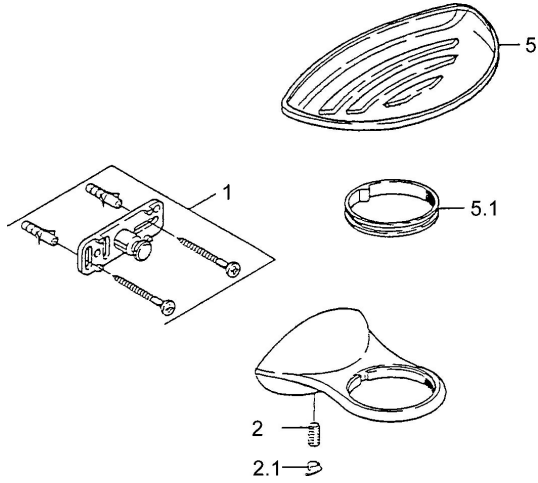


EAN: 4015474002098
static.hansa.com/5550090092

Spare parts

SP55500900



	Name	Code
1	Fixing set Discontinued	59911816
2	Pin, M5x8, SW2.5 Discontinued	59911817
2.1	Plug Chrome Discontinued	59911818
5.1	Support ring Discontinued	59911826