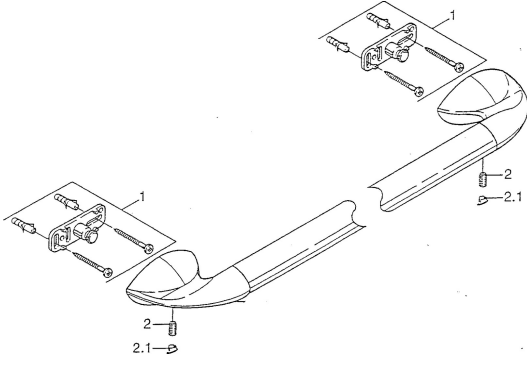


EAN: 4015474001268
static.hansa.com/55410900

Spare parts

SP55400900



| | Name | | Code |
|-----|------------------|--------------|----------|
| 1 | Fixing set | Discontinued | 59911816 |
| 2 | Pin, M5x8, SW2.5 | Discontinued | 59911817 |
| 2.1 | Plug Chrome | Discontinued | 59911818 |