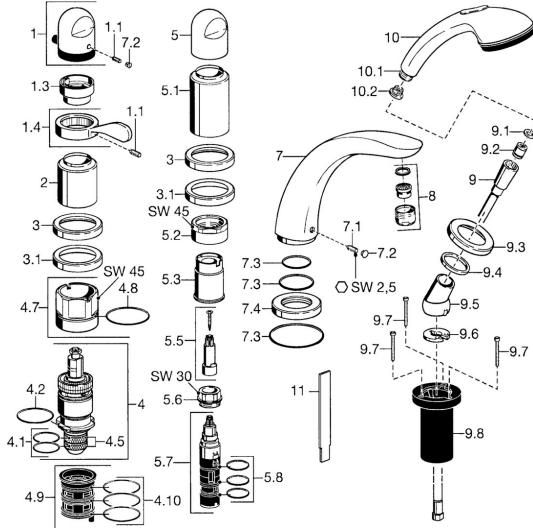


EAN: 4015474048706
static.hansa.com/5317203590

Spare parts

SP53172035



	Name		Code
1	Temperature control handle Chrome Discontinued		59910152
1.1	Screw, M6x6		59912330
1.3	Temperature adjustment limiter Chrome		59906355
1.4	Lever Chrome		59905722
2	Covering cap Chrome Discontinued		59912327
3	Cover flange Chrome Discontinued		59912256
3.1	Cover flange Chrome		59912259
4	Thermostatic cartridge, G1/2		59904501
4.1	O-ring, d 27x2		59901532
4.2	O-ring, 35x2.5		59905020
4.5	Strainer, 0.16 mm Discontinued		59905036
4.7	Eye screw, M52x1, SW 50		59911516
4.8	O-ring, 50.52x1.78		59906841
4.9	Adapter		59911514
4.10	O-ring, d 40x2		59911507
5	Handle Chrome		59912262
5.1	Covering cap Chrome Discontinued		59912308
5.1	Covering cap Gold Discontinued		59912309
5.2	Eye screw, M42x1, SW45 Discontinued		59912321
5.3	Retaining ring Discontinued		59912320
5.5	Spindle Discontinued		59912319
5.6	Eye screw, M32x1.5		59911898
5.7	Diverter		59912269
5.8	O-ring kit, d 24x2		59911835
7	Spout, L=240 Chrome		59912273
7	Spout, L=185 Chrome		59912270
7.1	Screw, M6x16, SW 2.5		59910120
7.2	Cover plug Chrome		59911840
7.3	Sealing kit		59912276
7.4	Cover flange Chrome		59912278
8	Aerator, M28x1 D Chrome		59907198
9	Shower hose, L=1750, G1/2-M12x1 Chrome		59912281
9.1	Gasket ring, d 21x12x2		59912304
9.2	Non-return valve		59905714
9.3	Cover flange, M70x1 Chrome		59912287
9.4	Bearing ring		59912286
9.5	Holder Chrome		59912282
9.6	Disk		59912337
9.7	Screw, M4x45		59912291
9.8	Passing-through bushing		59912290
10	Hand shower Chrome Discontinued		04320100
10	Hand shower Chrome/Gold Discontinued		599043390
10.1	Hose coupling, G1/2 Discontinued		59912237
10.2	Strainer		59906859
11	Tool Discontinued		59912277