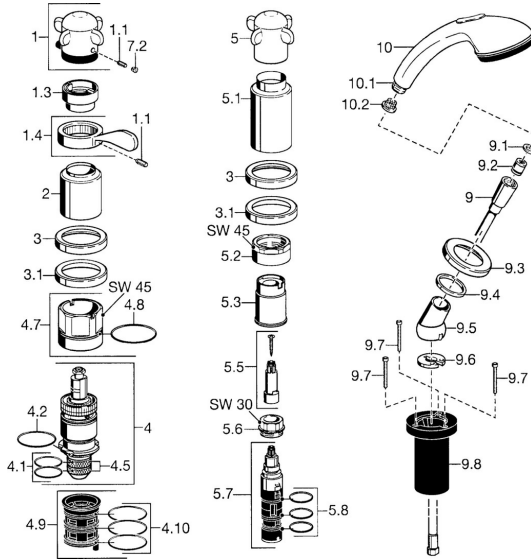


EAN: 4015474048508
static.hansa.com/5313903190

Spare parts

SP53139031



| | Name | Code |
|------|---|-----------|
| 1.1 | Screw, M6x6 | 59912330 |
| 1.3 | Temperature adjustment limiter Chrome | 59906355 |
| 1.4 | Lever Chrome | 59905722 |
| 2 | Covering cap Chrome Discontinued | 59912327 |
| 3 | Cover flange Chrome Discontinued | 59912256 |
| 3.1 | Cover flange Chrome | 59912259 |
| 4 | Thermostatic cartridge, G1/2 | 59904501 |
| 4.1 | O-ring, d 27x2 | 59901532 |
| 4.2 | O-ring, 35x2.5 | 59905020 |
| 4.5 | Strainer, 0.16 mm Discontinued | 59905036 |
| 4.7 | Eye screw, M52x1, SW 50 | 59911516 |
| 4.8 | O-ring, 50.52x1.78 | 59906841 |
| 4.9 | Adapter | 59911514 |
| 4.10 | O-ring, d 40x2 | 59911507 |
| 5.1 | Covering cap Chrome Discontinued | 59912310 |
| 5.2 | Eye screw, M42x1, SW45 Discontinued | 59912321 |
| 5.3 | Retaining ring Discontinued | 59912320 |
| 5.5 | Spindle Discontinued | 59912319 |
| 5.6 | Eye screw, M32x1.5 | 59911898 |
| 5.7 | Diverter | 59912269 |
| 5.8 | O-ring kit, d 24x2 | 59911835 |
| 9 | Shower hose, L=1750, G1/2-M12x1 Chrome | 59912281 |
| 9.1 | Gasket ring, d 21x12x2 | 59912304 |
| 9.2 | Non-return valve | 59905714 |
| 9.3 | Cover flange, M70x1 Chrome | 59912287 |
| 9.4 | Bearing ring | 59912286 |
| 9.5 | Holder Chrome | 59912282 |
| 9.6 | Disk | 59912337 |
| 9.7 | Screw, M4x45 | 59912291 |
| 9.8 | Passing-through bushing | 59912290 |
| 10 | Hand shower Chrome/Gold Discontinued | 599043390 |
| 10 | Hand shower Chrome Discontinued | 04320100 |
| 10.1 | Hose coupling, G1/2 Discontinued | 59912237 |
| 10.2 | Strainer | 59906859 |