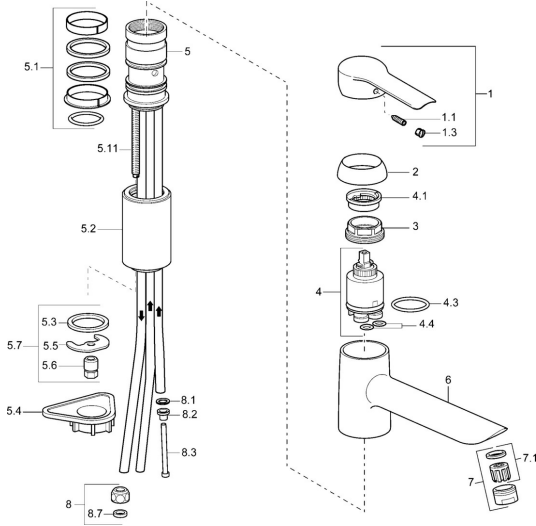


EAN: 4015474084162  
[static.hansa.com/52491103](http://static.hansa.com/52491103)

## Spare parts

### SP52491103



|      | Name  | Code     |
|------|---|----------|
| 1    | Lever Chrome                                    | 59914629 |
| 1    | Lever Chrome                                    | 59913903 |
| 1.1  | Screw, M5x8, SW2.5                              | 59904755 |
| 1.3  | Symbol plug Grey                                | 59912112 |
| 2    | Covering cap, 33x3 mm Chrome                    | 59912504 |
| 3    | Tightening nut, M37x1, AF30 <b>Discontinued</b> | 59912111 |
| 4    | Cartridge, 3.5 Eco                              | 59912324 |
| 4.1  | Temperature adjustment limiter                  | 59912325 |
| 4.3  | O-ring, d 28.24x2.62 <b>Discontinued</b>        | 59912590 |
| 4.4  | O-ring, d 10.10x1.60 <b>Discontinued</b>        | 59905072 |
| 5.1  | Sealing kit                                     | 59912514 |
| 5.2  | Raising socket Chrome <b>Discontinued</b>       | 59912516 |
| 5.3  | Gasket, 43x37x3                                 | 59912506 |
| 5.4  | Supporting plate                                | 59910008 |
| 5.5  | Fixing plate                                    | 59904765 |
| 5.6  | Screw, M8x1, SW13                               | 59904766 |
| 5.7  | Fixing set                                      | 59912113 |
| 5.11 | Fixing screw, M8x1, L=140                       | 59912474 |
| 6    | Spout Chrome <b>Discontinued</b>                | 59912513 |
| 7    | Aerator, M24x1 A, low pressure Chrome           | 59902692 |
| 7.1  | Aerator, M22/24, ND                             | 59901553 |
| 8    | Fitting nut                                     | 59904969 |
| 8.1  | Sealing kit, 14.9x8.5x1                         | 59902352 |
| 8.2  | Sealing kit, 10x8                               | 59902272 |
| 8.3  | Hose  | 59902151 |
| 8.7  | Gasket, 15x8x4 <b>Discontinued</b>              | 59902270 |
| N.I. | Key, SW30/34                                    | 59912108 |