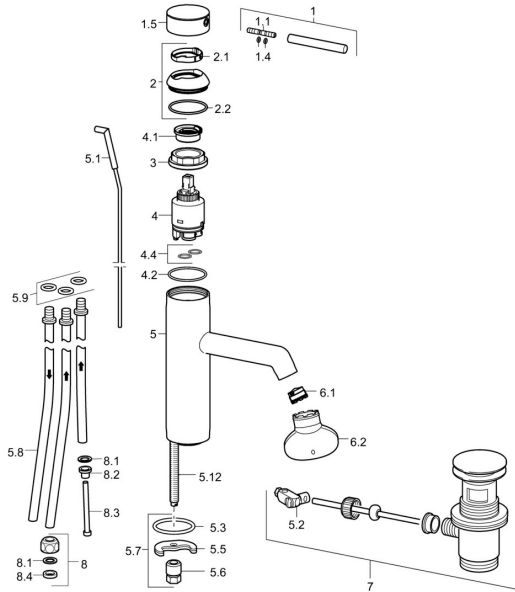


EAN: 4015474188143
static.hansa.com/51911173

Spare parts

SP51911173



| | Name | Code |
|------|--|----------|
| 1 | Lever, 70 mm | 59913331 |
| 1.1 | Screw, M5x35 | 59913299 |
| 1.4 | O-ring, d 3x1.5 | 59913100 |
| 1.5 | Cap Chrome | 59913332 |
| 1.5 | Cap White Discontinued | 59913334 |
| 1.5 | Cap Black Discontinued | 59913333 |
| 2 | Covering cap Chrome | 59913364 |
| 2.1 | Bearing ring | 59913363 |
| 2.2 | O-ring, d 38x2 | 59913212 |
| 3 | Screw, M42x1, SW34 | 59913365 |
| 4 | Cartridge, 3,5 Eco | 59912324 |
| 4 | Cartridge, 3,5 Classic | 59913075 |
| 4.1 | Temperature adjustment limiter | 59912325 |
| 4.2 | O-ring, d 28.24x2.62 Discontinued | 59912590 |
| 4.4 | O-ring, d 10.10x1.60 Discontinued | 59905072 |
| 5.1 | Lever for pop-up waste Chrome | 59913362 |
| 5.2 | Swivel joint | 59904624 |
| 5.3 | Gasket, 43x37x3 | 59912506 |
| 5.5 | Fixing plate | 59904765 |
| 5.6 | Screw, M8x1, SW13 | 59904766 |
| 5.7 | Fixing set | 59910749 |
| 5.8 | Pipe, M8x1, L=560 | 59912806 |
| 5.9 | O-ring, 6x1.4 | 59913266 |
| 5.12 | Fixing screw, M8x1, L=140 | 59912474 |
| 6.1 | Aerator, M18.5x1 | 59913489 |
| 6.2 | Key for aerator, M18.5 | 59913367 |
| 7 | Pop-up waste Chrome | 59911441 |
| 8 | Fitting nut | 59904969 |
| 8.1 | Sealing kit, 14.9x8.5x1 | 59902352 |
| 8.2 | Sealing kit, 10x8 | 59902272 |
| 8.3 | Hose | 59902151 |
| 8.4 | Gasket, 15x8x4 Discontinued | 59902270 |
| N.I. | Key, SW30/34 | 59912108 |