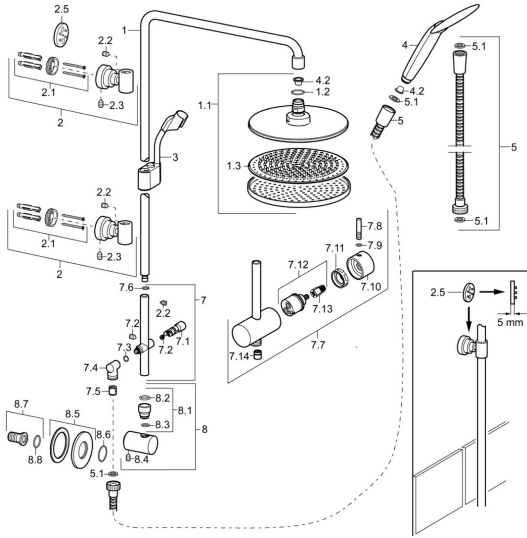


EAN: 4015474173699  
[static.hansa.com/51660200](http://static.hansa.com/51660200)

## Spare parts

### SP51660200



	Name		Code
1	Shower pipe, d 18 mm Chrome	Discontinued	59913308
1.1	Headshower, d 220 mm Chrome		59912432
1.2	O-ring, 20x2		59912435
1.3	Nozzle plate, (-2013)		59912908
2	Wall bracket Chrome		59913028
2.1	Fixing set	Discontinued	59913021
2.2	Screw, M4x4		59901027
2.3	Screw, M5x8, SW2.5		59904755
2.5	Spacer ring Chrome	Discontinued	59913022
3	Slide for shower rail, d 18 mm, (-2019)	Discontinued	59913306
4	Hand shower, (-2018) Chrome	Discontinued	04320200
4.2	Strainer		59906859
5	Shower hose, L=1250 Chrome		54120400
5.1	Gasket ring, d 21x12x2		59912304
7	Diverter body		59913030
7.1	Diverter		59913025
7.2	Maintenance set		59913027
7.3	O-ring, 9.5x1.5	Discontinued	59913026
7.4	Connector coupling	Discontinued	59913023
7.5	Non-return valve		59905714
7.6	O-ring, d 11.5x2	Discontinued	59913307
7.7	Diverter body complete, (2013-)	Discontinued	59913882
7.8	Pin, M6, 21 mm Chrome		59913284
7.9	O-ring, d 3x1.5		59913100
7.10	Handle		59913817
7.11	Tightening nut, M37x1, AF30	Discontinued	59912111
7.12	Diverter		59913818
7.13	Adapter White		59910235
7.14	Non-return valve		59905714
8	Wall coupling for shower hose	Discontinued	59913031
8.1	Connection nipple, d 18 mm, M18x1	Discontinued	59913032
8.2	O-ring, 18x3.5		59913227
8.4	Screw, M6x9	Discontinued	59911237
8.5	Cover flange Chrome	Discontinued	59912134
8.6	O-ring, 34x2		59912533
8.7	Connection nipple, G1/2		59911229
8.8	O-ring, d 25x2.5		59905053
N.I.	Connection nipple, G1/2, M24x1 Chrome		59913137