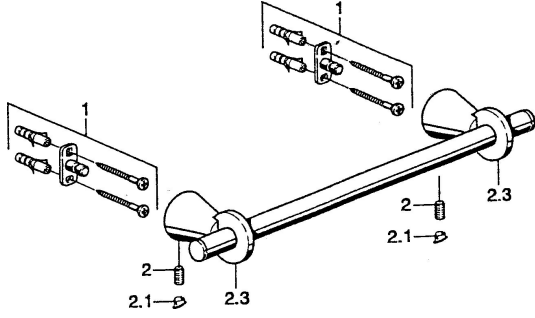


EAN: 4015474023406
static.hansa.com/51260900

Spare parts



SP51260900

	Name	Code
1	Fixing set Discontinued	59912081
2	Pin, M5x8 Discontinued	59912082
2.1	Cover plug Chrome Discontinued	59912083
2.3	Wall bracket Chrome Discontinued	59912090