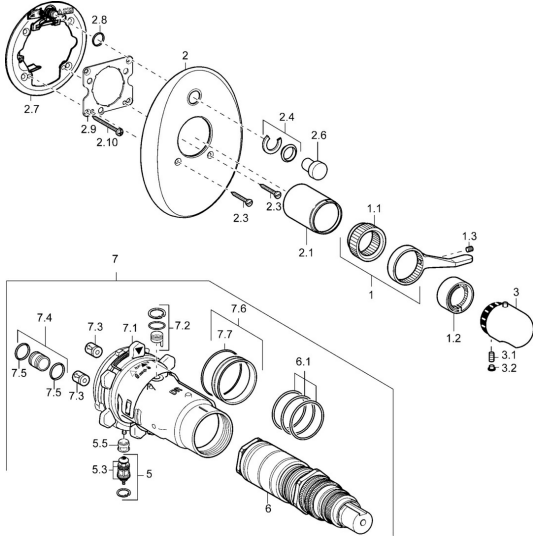


EAN: 4015474113121  
[static.hansa.com/47649045](https://static.hansa.com/47649045)

## Reserveonderdelen

### SP47649045



|      | Naam  | Code     |
|------|---|----------|
| 1    | Hendel  | 59912895 |
| 1.1  | Adapter   | 59912894 |
| 1.2  | Temperature adjustment limiter Chroom             | 59912893 |
| 1.3  | Schroef, M6x16, SW2.5                             | 59911727 |
| 2    | Afdekplaat Chroom <b>Stopgezet</b>                | 59912927 |
| 2.1  | Kap Chroom <b>Stopgezet</b>                       | 59912896 |
| 2.3  | Schroef, M5x25 Chroom                             | 59912881 |
| 2.4  | Kapmet begrenzer keuken                           | 59912924 |
| 2.6  | Snap  | 59912926 |
| 2.7  | Fixing part                                       | 59912889 |
| 2.8  | O-ring, d 7.65x1.78                               | 59902337 |
| 2.9  | Fixing plate                                      | 59913034 |
| 2.10 | Schroef, M4.5x80                                  | 59912890 |
| 3    | Temperatuur hendel, (-38°) Chroom                 | 59911280 |
| 3    | Temperatuur hendel Chroom                         | 59910304 |
| 3    | Temperatuur hendel Chroom/Satijn <b>Stopgezet</b> | 59910305 |
| 3.1  | Schroef, M6x9.5                                   | 59901609 |
| 3.2  | Binnendeel temperatuurhendel Chroom               | 59911840 |
| 3.2  | Plug Chroom/Satijn <b>Stopgezet</b>               | 59911917 |
| 5    | Omsteller   | 59912985 |
| 5.3  | Dichting <b>Stopgezet</b>                         | 59912997 |
| 5.5  | Zetel   | 59912229 |
| 6    | Thermostaat/binnenwerk, 1/2" Varox                | 59912843 |
| 6.1  | O-ring, d 26x2                                    | 59911081 |
| 7    | Functional unit, H/C reversed <b>Stopgezet</b>    | 59912979 |
| 7    | Functional unit <b>Stopgezet</b>                  | 59912905 |
| 7.1  | Blind nut   | 59912984 |
| 7.2  | Tegendrukklep                                     | 59912990 |
| 7.3  | Terugslagklep                                     | 59905714 |
| 7.4  | Aansluitnippel, (2014-)                           | 59913885 |
| 7.5  | O-ring, d 14x2                                    | 59912982 |
| 7.6  | Ring  | 59912989 |
| 7.7  | O-ring, 50.52x1.78                                | 59906841 |
| N.I. | Rebound pin                                       | 59912005 |
| N.I. | Inbouwwerlengstuk compleet, 20 mm                 | 59912754 |