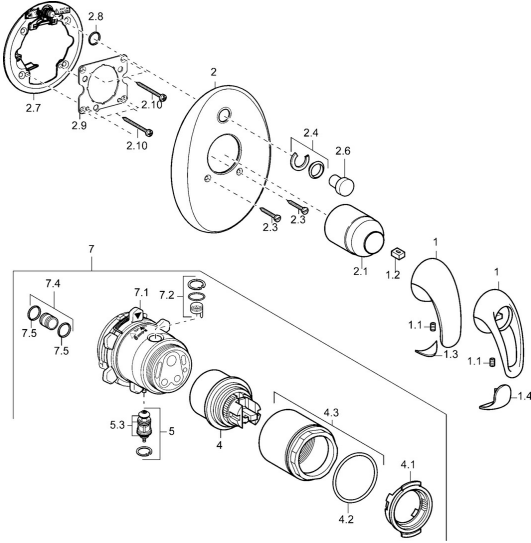


EAN: 4015474114265  
[static.hansa.com/4584904092](https://static.hansa.com/4584904092)

## Spare parts

### SP45849040



|      | Name                                     | Code      |
|------|--|-----------|
| 1    | Lever Chrome <b>Discontinued</b>         | 599055895 |
| 1    | Lever Chrome <b>Discontinued</b>         | 599055881 |
| 1.1  | Screw, M5x8, SW2.5                       | 59904755  |
| 1.2  | Bushing                                  | 59904778  |
| 1.3  | Symbol plug <b>Discontinued</b>          | 59911785  |
| 1.4  | Symbol plug <b>Discontinued</b>          | 59911786  |
| 2    | Cover flange Chrome <b>Discontinued</b>  | 59912927  |
| 2.1  | Covering cap Chrome                      | 59904820  |
| 2.3  | Screw, M5x25 Chrome                      | 59912881  |
| 2.4  | Flow limiting cap                        | 59912924  |
| 2.6  | Snap                                     | 59912926  |
| 2.7  | Fixing part                              | 59912889  |
| 2.8  | O-ring, d 7.65x1.78                      | 59902337  |
| 2.9  | Fixing plate                             | 59913034  |
| 2.10 | Screw, M4.5x80                           | 59912890  |
| 4    | Cartridge, 4.8 eco                       | 59904601  |
| 4.1  | Hot water limiter                        | 59904759  |
| 4.2  | O-ring, 50.52x1.78                       | 59906841  |
| 4.3  | Eye screw, M50x1, SW45                   | 59912980  |
| 5    | Diverter                                 | 59912985  |
| 5.3  | Sealing kit <b>Discontinued</b>          | 59912997  |
| 7    | Functional unit, 4.8 <b>Discontinued</b> | 59912898  |
| 7    | Functional unit <b>Discontinued</b>      | 59912907  |
| 7.1  | Blind nut                                | 59912984  |
| 7.2  | Valve                                    | 59912986  |
| 7.4  | Connection nipple, (2014-)               | 59913885  |
| 7.5  | O-ring, d 14x2                           | 59912982  |
| N.I. | Raising kit, 20 mm                       | 59912754  |