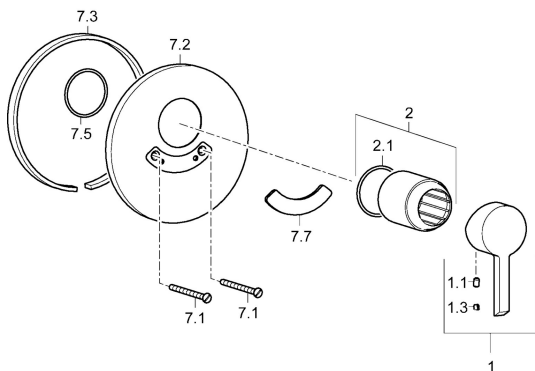


EAN: 4015474201996  
[static.hansa.com/45179103](https://static.hansa.com/45179103)

## Reserveonderdelen



### SP45179103

	Naam	Code
1	Hendel Chroom	59913586
1.1	Schroef, M5x8, SW2.5	59904755
1.3	Sierdop Grijs	59912112
2	Rosassen Chroom	59912511
2.1	O-ring, 41x3	59913215
7.1	Schroef, M5x65 Chroom	59904847
7.2	Afdekplaat, d 160 mm Chroom <span style="background-color: #cccccc; padding: 2px;">Stopgezet</span>	59913539
7.3	Rubberen pakking	59913045
7.5	Dichting, 64,5x47x7 <span style="background-color: #cccccc; padding: 2px;">Stopgezet</span>	59912509
7.7	Medische hendel Chroom <span style="background-color: #cccccc; padding: 2px;">Stopgezet</span>	79901110