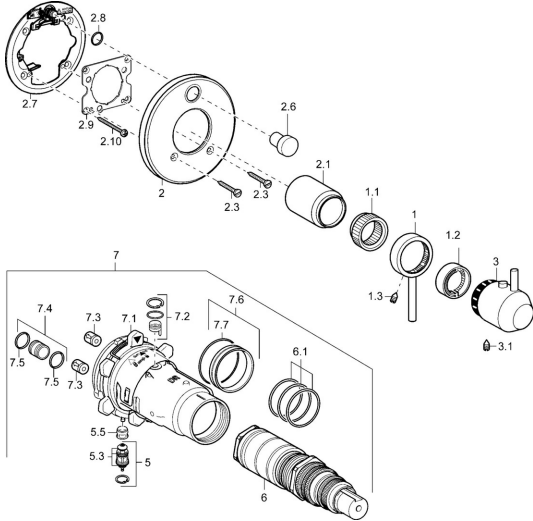


EAN: 4015474114159  
[static.hansa.com/4282904196](https://static.hansa.com/4282904196)

## Spare parts

### SP4282904196



	Name		Code
1	Lever Chrome <b>Discontinued</b>		5991301896
1.1	Adapter		59912894
1.2	Retaining ring <b>Discontinued</b>		5991289396
1.3	Screw, M6x9.5		59901609
2	Cover flange Chrome <b>Discontinued</b>		5991301396
2.1	Covering cap <b>Discontinued</b>		5991301696
2.3	Screw, M5x18, SW 3 <b>Discontinued</b>		5991301596
2.6	Push button Stainless steel <b>Discontinued</b>		5991301796
2.7	Fixing part		59912889
2.8	O-ring, d 7.65x1.78		59902337
2.9	Fixing plate		59913034
2.10	Screw, M4.5x80		59912890
3	Handle Chrome <b>Discontinued</b>		5991301996
3.1	Screw, M6x16, SW2.5		59911727
5	Diverter		59912985
5.3	Sealing kit <b>Discontinued</b>		59912997
5.5	Seat		59912229
6	Thermostatic cartridge, 1/2" Varox		59912843
6.1	O-ring, d 26x2		59911081
7	Functional unit <b>Discontinued</b>		59912905
7	Functional unit, H/C reversed <b>Discontinued</b>		59912979
7.1	Blind nut		59912984
7.2	Back-pressure valve		59912990
7.3	Non-return valve		59905714
7.4	Connection nipple, (2014-)		59913885
7.5	O-ring, d 14x2		59912982
7.6	Ring		59912989
7.7	O-ring, 50.52x1.78		59906841
N.I.	Raising kit, 20 mm		59912754
N.I.	Rebound pin		59912005