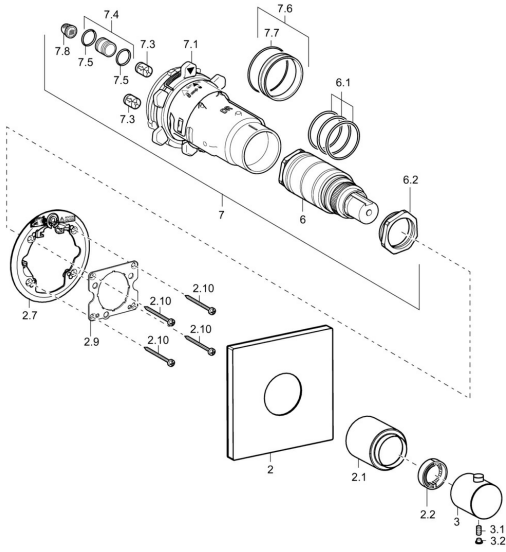


EAN: 4015474186200
static.hansa.com/41129578

Spare parts

SP41129573



	Name	Code
2	Cover flange, 150x150 mm Chrome	59913382
2.1	Covering cap, (2011-) Chrome Discontinued	59913846
2.1	Covering cap Chrome Discontinued	59913381
2.2	Temperature adjustment limiter	59911660
2.7	Fixing part	59912888
2.9	Fixing plate	59913034
2.10	Screw, M4.5x80	59912890
3	Temperature control handle Chrome	59913342
3	Temperature control handle, (2011-) Chrome	59913497
3.1	Screw, M6x6	59912330
3.2	Cover plug Chrome	59911840
6	Thermostatic cartridge, H/C reversed	59911527
6	Thermostatic cartridge	59911525
6.1	O-ring, d 26x2	59911081
6.2	Eye screw, M34x1, AF36	59912988
7	Functional unit Discontinued	59912903
7.1	Blind nut	59912984
7.3	Non-return valve	59905714
7.4	Connection nipple, (2014-)	59913885
7.5	O-ring, d 14x2	59912982
7.6	Ring	59912989
7.7	O-ring, 50.52x1.78	59906841
7.8	Strainer	59913126
N.I.	Thermostatic cartridge	59913311
N.I.	Thermostatic cartridge, H/C reversed	59913463
N.I.	Rebound pin	59912005
N.I.	Raising kit, 20 mm	59912754
N.I.	Retaining ring	59912892