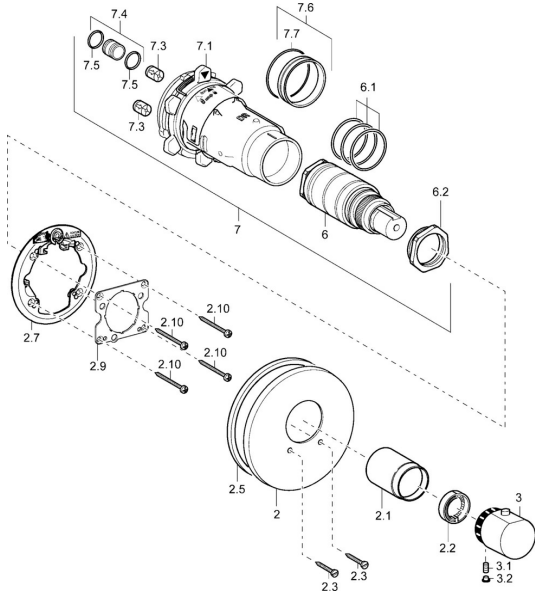


EAN: 4015474112780
static.hansa.com/41129042

Spare parts

SP41129042



	Name	Code
2	Cover flange, d 56 mm	59913078
2	Cover flange, d 135 / d 56 mm Chrome Discontinued	59912882
2	Cover flange, d 170/56 mm Chrome Discontinued	59912928
2.1	Covering cap Chrome Discontinued	59912891
2.2	Retaining ring	59912892
2.3	Screw, M5x25 Chrome	59912881
2.5	Rubber gasket	59913045
2.7	Fixing part	59912888
2.9	Fixing plate	59913034
2.10	Screw, M4,5x80	59912890
3	Temperature control handle Chrome	59912126
3.1	Screw, M6x9,5	59901609
3.2	Cover plug Chrome	59911840
6	Thermostatic cartridge, H/C reversed	59911527
6	Thermostatic cartridge	59911525
6.1	O-ring, d 26x2	59911081
6.2	Eye screw, M34x1, AF36	59912988
7	Functional unit Discontinued	59912903
7.1	Blind nut	59912984
7.3	Non-return valve	59905714
7.4	Connection nipple, (2014-)	59913885
7.5	O-ring, d 14x2	59912982
7.6	Ring	59912989
7.7	O-ring, 50.52x1.78	59906841
N.I.	Raising kit, 20 mm	59912754
N.I.	Rebound pin	59912005