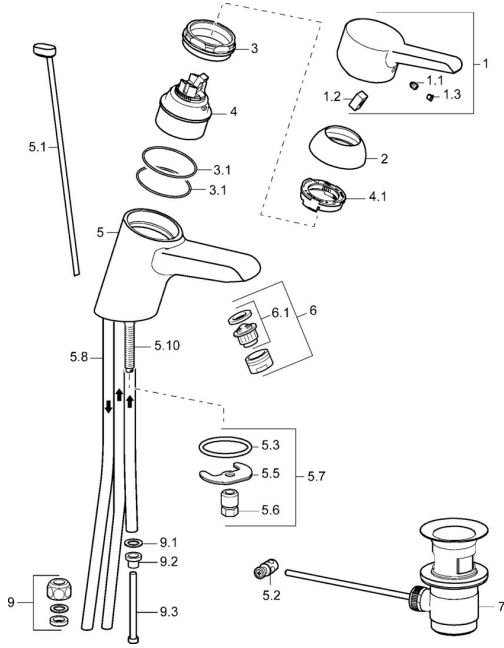


EAN: 4015474137615  
[static.hansa.com/09131173](http://static.hansa.com/09131173)

## Pièces de rechange

### SP09131173



|      | Nom                                    | Code     |
|------|--|----------|
| 1    | Levier Chrome <b>Arrêté</b>            | 59913905 |
| 1.1  | Vis, M5x8, SW2.5                       | 59904755 |
| 1.2  | Kit de joints pour bec                 | 59904778 |
| 1.3  | Capuchon Gris                          | 59912112 |
| 2    | Chape Chrome                           | 59913068 |
| 3    | Vis, M50x1, SW45                       | 59913069 |
| 3.1  | Joint, d 48x2                          | 59913072 |
| 4    | Cartouche, 4.8 eco                     | 59904601 |
| 4.1  | Hot water limiter                      | 59904759 |
| 5.1  | Tirette de vidage Chrome               | 59913067 |
| 5.2  | Joint                                  | 59904624 |
| 5.3  | Joint, 42x3.5                          | 59904764 |
| 5.5  | Fixing plate                           | 59904765 |
| 5.6  | Vis, M8x1, SW13                        | 59904766 |
| 5.7  | Ensemble de fixation                   | 59910749 |
| 5.8  | Tuyau <b>Arrêté</b>                    | 59913076 |
| 5.10 | Vis, M8x1, L=140                       | 59912474 |
| 6    | Aérateur, M24x1 A, low pressure Chrome | 59902692 |
| 6.1  | Aérateur, M22/24, ND                   | 59901553 |
| 7    | Vidage Chrome                          | 59904620 |
| 9    | Écrou du raccord                       | 59904969 |
| 9.1  | Set de fixation pour bec, 14.9x8.5x1   | 59902352 |
| 9.2  | Set de fixation pour bec, 10x8         | 59902272 |
| 9.3  | Tuyau                                  | 59902151 |
| N.I. | Clef, SW45/SW50                        | 59905190 |