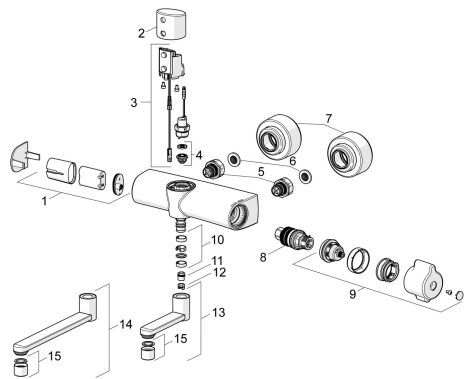


EAN: 4057304014444  
[static.hansa.com/08866202](https://static.hansa.com/08866202)

## Spare parts

### SP08866201



	Name	Code
01	Battery casing	59914154
02	Sensor holder Chrome	1006102V
03	Update kit	1017251V
04	Membrane for solenoid valve	1006500V
05	Combiner	59914472
06	Filter sealing, G3/4	59911076
07	Cover flange Chrome	1006473V
08	Thermostatic cartridge, 3.4	59914114
09	Temperature control handle Chrome	1006058V
10	Sealing kit for spout Chrome	59914720
11	Spout overturning stopper, 60° / 0°	59914264
12	Limiter, 120°	59914728
13	Spout, L=100 Chrome	59914658
14	Spout, L=200 Chrome	59914659
15	Aerator, M22x1 STD PL HC A Laminar Chrome	1003610V