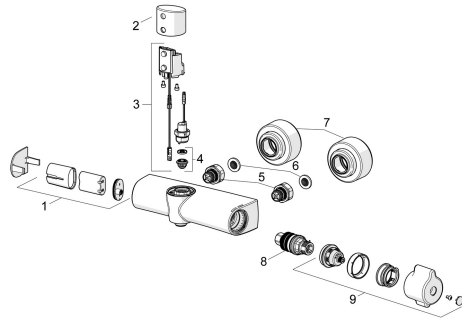


EAN: 4057304014420
static.hansa.com/08866200

Spare parts

SP08866200



	Name	Code
01	Battery casing	59914154
02	Sensor holder Chrome	1006102V
03	Update kit	1017251V
04	Membrane for solenoid valve	1006500V
05	Combiner	59914472
06	Filter sealing, G3/4	59911076
07	Cover flange Chrome	1006473V
08	Thermostatic cartridge, 3.4	59914114
09	Temperature control handle Chrome	1006058V