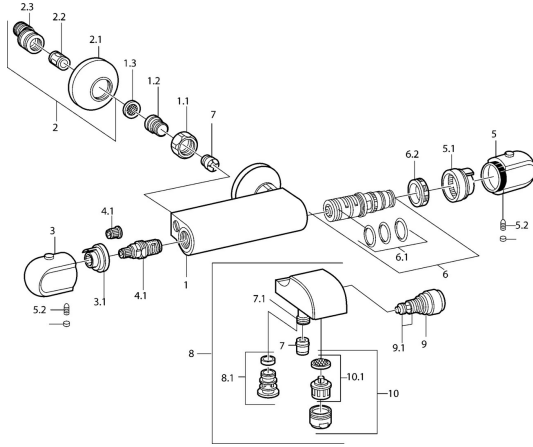


EAN: 4015474658509
static.hansa.com/08442102

Spare parts



SP08442102

| | Name | Code |
|------|--|----------|
| 1.1 | Connection nut, G3/4, AF30 | 59902230 |
| 1.2 | Nipple | 59911075 |
| 1.3 | Filter sealing, G3/4 | 59911076 |
| 2 | Eccentric, G3/4xG1/2 Chrome | 59904793 |
| 2.1 | Cover flange Chrome | 59904796 |
| 2.2 | Silencer | 59904792 |
| 2.3 | Eccentric connector, G3/4xG1/2, DN15 | 59910254 |
| 3 | Flow control handle Chrome | 59911656 |
| 3.1 | Adjusting ring | 59911661 |
| 4 | Headpart, G1/2, 180° | 59911103 |
| 4.1 | Adapter White | 59910235 |
| 5 | Temperature control handle Chrome | 59911830 |
| 5 | Temperature control handle, 38° limited Chrome | 59911726 |
| 5.1 | Temperature adjustment limiter | 59911660 |
| 5.2 | Screw, M6x9.5 | 59901609 |
| 5.3 | Cover plug Chrome | 59911840 |
| 6 | Thermostatic cartridge | 59911525 |
| 6.1 | O-ring, d 26x2 | 59911081 |
| 6.2 | Tightening nut, M34x1, SW32 | 59911082 |
| 7 | Non-return valve | 59905714 |
| 7.1 | Connector | 59906277 |
| 7.2 | Thread nipple, G1/2xM18x1 | 59911384 |
| 9 | Diverter Chrome | 59910803 |
| 9 | Diverter White Discontinued | 59910804 |
| 9.1 | Sealing kit | 59904791 |
| 10 | Aerator, M28x1 C Chrome | 59902088 |
| 10 | Aerator, M28x1 C White Discontinued | 59905683 |
| 10.1 | Aerator, M28x1 C Discontinued | 59902089 |
| N.I. | Thermostatic cartridge, H/C reversed | 59911527 |