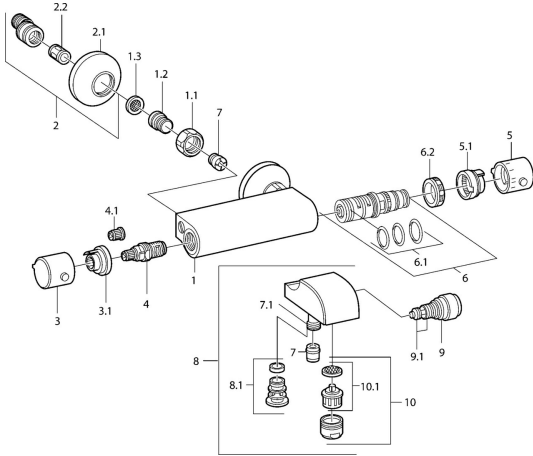


EAN: 4015474648173
static.hansa.com/08442101

Spare parts



SP08442101

	Name	Code
1.1	Connection nut, G3/4, AF30	59902230
1.2	Nipple	59911075
1.3	Filter sealing, G3/4	59911076
2	Eccentric, G3/4xG1/2 Chrome	59904793
2.1	Cover flange Chrome	59904796
2.2	Silencer	59904792
3	Flow control handle Chrome Discontinued	59911381
3.1	Fixing ring Discontinued	59911078
4	Headpart, G1/2, 180°	59911103
4.1	Adapter White	59910235
5	Temperature control handle Chrome Discontinued	59911379
5.1	Retaining ring Discontinued	59911079
6	Thermostatic cartridge Discontinued	59911080
6.1	O-ring, d 26x2	59911081
6.2	Tightening nut, M34x1, SW32	59911082
7	Non-return valve	59905714
7.1	Connector	59906277
9	Diverter White Discontinued	59910804
9	Diverter Chrome	59910803
9.1	Sealing kit	59904791
10	Aerator, M28x1 C Chrome	59902088
10	Aerator, M28x1 C White Discontinued	59905683
10.1	Aerator, M28x1 C Discontinued	59902089