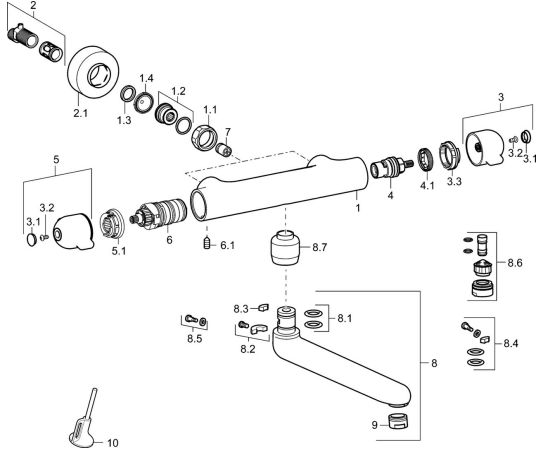


EAN: 4015474267404
static.hansa.com/08302201

Spare parts



SP08302201

	Name	Code
1.1	Connection nut, G3/4, AF30	59902230
1.2	Nipple	59911075
1.3	Retaining ring, 23.9x15.2x2	59902689
1.4	Filter sealing, G3/4	59911076
2	Eccentric	59914082
2.1	Cover flange Chrome	59914083
3	Flow control handle Chrome	59914081
3.1	Cap Chrome	59914079
3.2	Screw, M4x8	59913851
3.3	Adjusting ring	59913940
4	Headpart, G1/2, 180°	59911103
4.1	Ring	59913469
5	Temperature control handle Chrome	59914080
5.1	Temperature adjustment limiter	59914078
6	Thermostatic cartridge, 3.3	59913871
6.1	Screw, M6x9.5	59901609
7	Non-return valve	59905714
8	Spout, L=161 Chrome	02692000
8.1	O-ring, d 15x2.5	59910423
8.2	Screw, M6x10, 2,5	59911435
8.2	Limiter	59910421
8.3	Limiter	59910422
8.4	Maintenance set	59912230
8.5	Fixing screw, M6x12, AF2.5	59904804
8.6	Emptying valve	59912483
8.7	Adapter, M18x1 Discontinued	59913074
9	Aerator, M24x1 STD PL HC A Laminar (2013-) Chrome	59914054
10	Key	59914077