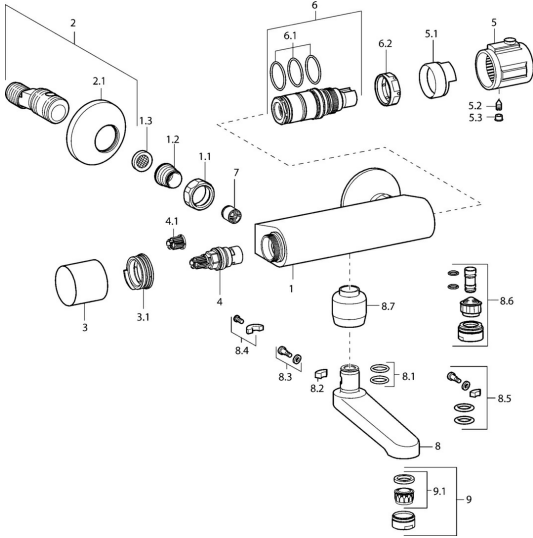


EAN: 4015474123953
static.hansa.com/08282201

Spare parts



SP08282201

	Name	Code
1.1	Connection nut, G3/4, AF30	59902230
1.2	Nipple	59911075
1.3	Filter sealing, G3/4	59911076
2	Eccentric coupling with stop valves and cover plates, G1/2xG3/4 Chrome	59902034
2.1	Cover flange Chrome	59904796
3	Flow control handle Chrome	59911828
3.1	Adjusting ring	59911661
4	Headpart, G1/2, 180°	59911103
4.1	Adapter White	59910235
5	Temperature control handle, 38° limited Chrome	59911725
5	Temperature control handle Chrome	59911827
5.1	Temperature adjustment limiter	59911660
5.2	Screw, M6x9.5	59901609
5.3	Cover plug Chrome	59911840
6	Thermostatic cartridge	59911525
6.1	O-ring, d 26x2	59911081
6.2	Tightening nut, M34x1, SW32	59911082
7	Non-return valve	59905714
8	Spout, L=116 Chrome Discontinued	59912048
8	Spout, L=145 Chrome	59911380
8	Spout, L=96 (2019-) Chrome	59914765
8	Spout, L=235 Chrome	59910417
8	Spout, L=170 Chrome	59911183
8	Spout, L=96 Chrome	59910419
8.1	O-ring, d 15x2.5	59910423
8.2	Limiter	59910422
8.3	Fixing screw, M6x12, AF2.5	59904804
8.4	Limiter	59910421
8.5	Maintenance set	59912230
8.6	Emptying valve	59912483
8.7	Adapter, M18x1 Discontinued	59913074
9	Aerator, M24x1 STD HC A Chrome	59902366
9.1	Aerator, M22/24 A	59902081
N.I.	Thermostatic cartridge, H/C reversed	59911527
N.I.	Rebound pin	59912005