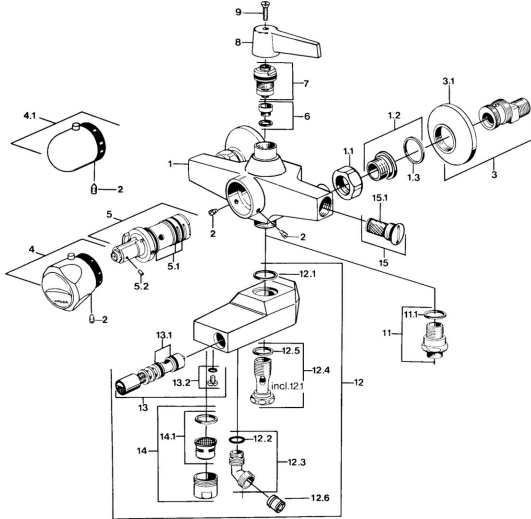


EAN: 4057304013812  
[static.hansa.com/08230201](http://static.hansa.com/08230201)

## Spare parts

### SP08352201



|      | Name   | Code     |
|------|--|----------|
| 1.1  | Connection nut, G3/4, AF30   | 59902230 |
| 1.2  | Seat, G1/2, L, WAF10   | 59904618 |
| 1.3  | Retaining ring, 23.9x15.2x2  | 59902689 |
| 2    | Screw, M6x9.5  | 59901609 |
| 3    | Eccentric coupling with stop valves and cover plates, G1/2xG3/4 Chrome | 59902034 |
| 3.1  | Cover flange Chrome  | 59904796 |
| 4    | Temperature control handle Chrome <b>Discontinued</b>                  | 59906965 |
| 4.1  | Temperature control handle Chrome                                      | 59910304 |
| 5    | Thermostatic cartridge <b>Discontinued</b>                             | 59901608 |
| 5.1  | O-ring, d 27x2   | 59901532 |
| 5.2  | Screw, M4x4  | 59901027 |
| 6    | Seat, DN15, R1/2   | 59904616 |
| 7    | Headpart, G1/2, DN 15  | 59901530 |
| 12.2 | O-ring, 12.37x2.65 <b>Discontinued</b>                                 | 59902340 |
| 12.5 | Gasket, 25x21x1.5 <b>Discontinued</b>                                  | 59902318 |
| 12.6 | Non-return valve   | 59905714 |
| 14   | Aerator, M28x1 C Chrome  | 59902088 |
| 14.1 | Aerator, M28x1 C <b>Discontinued</b>                                   | 59902089 |
| 15   | Non-return valve   | 59901610 |
| 15.1 | Strainer <b>Discontinued</b>   | 59901638 |
| N.I. | Thermostatic cartridge <b>Discontinued</b>                             | 59901668 |