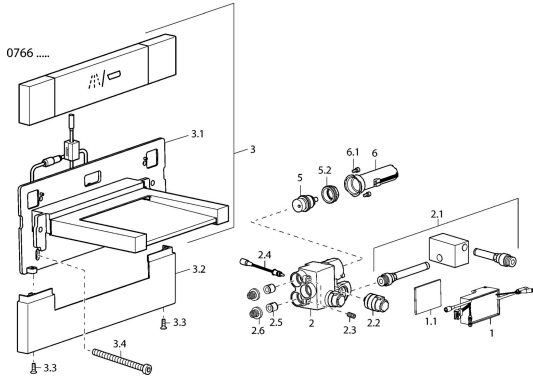


EAN: 4015474111677
static.hansa.com/07662101

Spare parts



SP07662101

| | Name | Code |
|------|---|----------|
| 1 | Electronic casing Discontinued | 59912955 |
| 2 | Shut-off valve Discontinued | 59912956 |
| 2.1 | Hose Discontinued | 59912957 |
| 2.2 | Solenoid valve, SW17 | 59912947 |
| 2.3 | Screw, M8x25 SW 4 Discontinued | 59912958 |
| 2.4 | Temperature sensor Discontinued | 59913037 |
| 2.5 | Non-return valve | 59905714 |
| 2.6 | Strainer, d 18/0.32 Discontinued | 59913041 |
| 3.2 | Cover Chrome Discontinued | 59912961 |
| 3.3 | Screw, M4x16, SW2.5 Discontinued | 59912960 |
| 3.4 | Screw Discontinued | 59912959 |
| 5 | Temperature regulator | 59913040 |
| 5.2 | Eye screw, M32x1, SW27 Discontinued | 59913039 |
| 6 | Control unit Discontinued | 59912948 |
| 6.1 | Screw Discontinued | 59912949 |
| N.I. | Connection cable, L=10000 Discontinued | 59912972 |
| N.I. | Control unit Discontinued | 59913385 |
| N.I. | Spout Discontinued | 59913387 |
| N.I. | Connection cable, L=600 Discontinued | 59912971 |