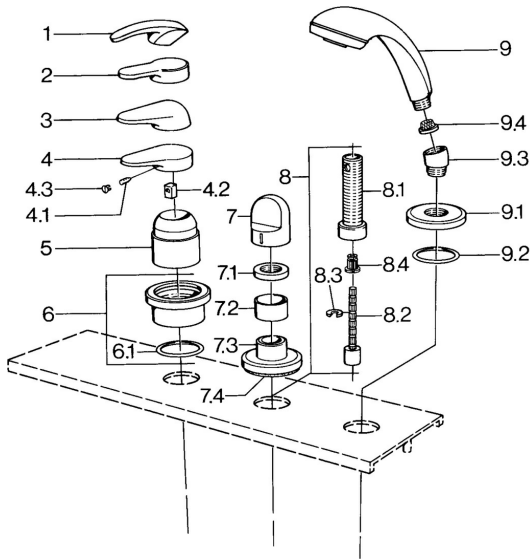


EAN: 4015474684454  
[static.hansa.com/0363903090](http://static.hansa.com/0363903090)

## Spare parts



### SP03639030

|     | Name   | Code      |
|-----|--|-----------|
| 4.1 | Screw, M5x8, SW2.5                                 | 59904755  |
| 4.2 | Bushing  | 59904778  |
| 4.3 | Plug, hot/cold                                     | 59906705  |
| 6   | Cover plate Chrome <b>Discontinued</b>             | 59911191  |
| 6.1 | O-ring, d 55x2.5 <b>Discontinued</b>               | 59911225  |
| 7   | Handle White <b>Discontinued</b>                   | 59910364  |
| 7   | Handle Chrome                                      | 59910363  |
| 7.1 | Disk, M24x1.5                                      | 59910159  |
| 7.3 | Cover flange Chrome/Satin <b>Discontinued</b>      | 59910095  |
| 7.3 | Cover flange, d 70 mm Chrome                       | 59910094  |
| 7.3 | Cover flange White <b>Discontinued</b>             | 59910096  |
| 8   | Raising kit, 80 mm                                 | 59910424  |
| 8.1 | Threaded sleeve, M24x1.5                           | 59910100  |
| 8.2 | Inside spindle                                     | 59910379  |
| 8.3 | Ring   | 59910694  |
| 8.4 | Adapter White                                      | 59910235  |
| 9   | Hand shower Chrome/Satin <b>Discontinued</b>       | 599043392 |
| 9   | Hand shower Chrome/Satin <b>Discontinued</b>       | 599043302 |
| 9   | Hand shower Chrome <b>Discontinued</b>             | 04320100  |
| 9   | Hand shower White/Edelmessing <b>Discontinued</b>  | 599043303 |
| 9   | Hand shower Edelmessing <b>Discontinued</b>        | 599043305 |
| 9   | Hand shower Chrome/Edelmessing <b>Discontinued</b> | 599043304 |
| 9   | Hand shower Chrome/Gold <b>Discontinued</b>        | 599043390 |
| 9.1 | Cover flange Chrome                                | 59910125  |
| 9.2 | O-ring, 54x3 <b>Discontinued</b>                   | 59901107  |
| 9.3 | Angle connector Chrome                             | 59911197  |
| 9.3 | Angle connector Satin <b>Discontinued</b>          | 59911198  |
| 9.3 | Angle connector White <b>Discontinued</b>          | 59911202  |
| 9.4 | Strainer   | 59906859  |