

EAN: 4057304019500  
[static.hansa.com/93002009](https://static.hansa.com/93002009)



Electra 93 series is giving you a whole new modern design with its rounded square body and spout giving you new fresh and updated design.

The tall design compliments the new trends of modern bathroom of more square design and shallow sinks, where the extra height gives you more comfortable usage.

#### Key Features

Aerator with Tilt function  $\pm 10^\circ$  for more flexible installation

Newest Sensor technology for better detection and operation comfort

Bluetooth technology for easy adjustment to personalize settings

Power Plug

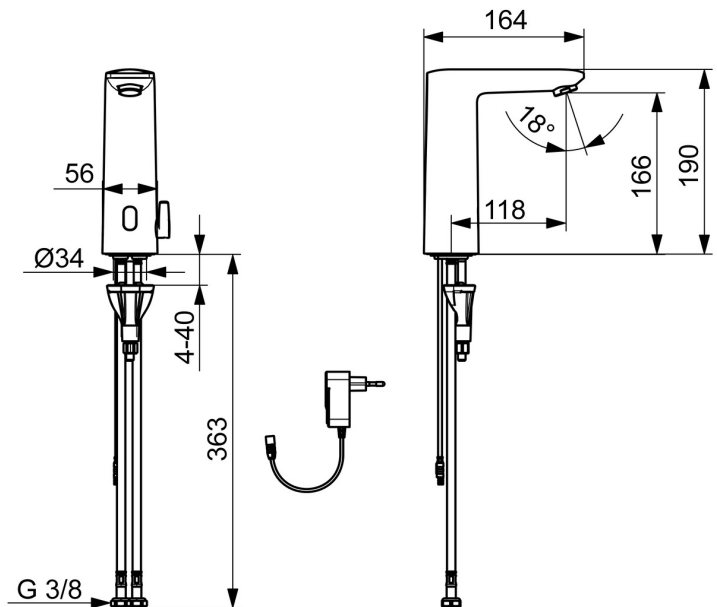
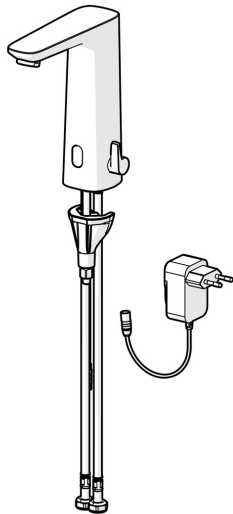
Bluetooth Touchless faucet with tilt aerator.  $\pm 10^\circ$  adjustment option.

Easy grip temperature lever for good grip and easy adjustment.

SMART intelligent bluetooth sensor with 3 optical lenses for improved performance supported by app connection for personalized and easy adjustment of sensor settings.

Metal free waterways due to high pressure composite construction and easy installation due to fast and easy 3S installation system.

- Washbasin
- Public & Semi-public, Industry, Housing
- Touchless, Plug transformer, Bluetooth®, Lead free
- Deck mounted
- Chrome
- Fixed spout
- PCA® - constant flow rate regardless of pressure variations, Adjustable flow angle
- Temperature control handle
- Adjustable hot water stop (included, retrofittable)
- Mixing valve for manual temperature control, Non-return valve(s), Litter filter(s)
- Advanced PSD sensor, Power supply, Light indicated function(s)
- Flexible inlet pipes
- 3S-installation system for safe and simple mounting, Software settings adjustable via App
- grease without Silicon



## Technical data

### Flow properties

Flow-rate at 3 bar (with flow controller) **6.0 l/min**

### Technical properties

Hot water supply **max. +70°C**  
 Working pressure **1-10 bar**  
 Connection size **G3/8**  
 Projection **118 mm**  
 Backflow prevention (EN1717) **EB**  
 Material **Composite**

### Software settings

Afterflow period **3 s (1-20 s)**  
 Automatic flush **off (off/1-120 h)**  
 Automatic flush period **30 s (1-1800 s)**  
 Max. flow period **2 min (1 - 1800 s)**

### Electronic properties

Electrical Connection **230 / 9 V**  
 Bluetooth version **5.x (D060576)**

### Regulations

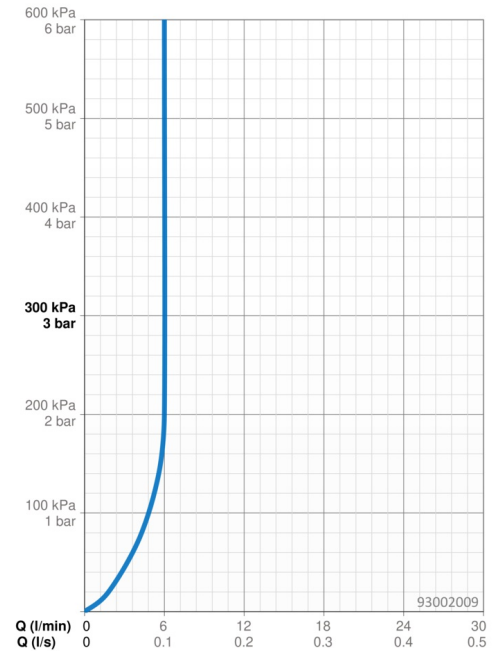
EU Directives **C € Radio Equipment Directive 2014/53/EU , Low Voltage Directive 2014/35/EU , EMC Directive 2014/30/EU , RoHS Directive 2011/65/EU**  
 EN standard **EN 15091, ETSI EN 301 489-1 V1.9.2 , ETSI EN 300 328 v2.2.2 , EN 61000-6-1:2007 , EN 61000-6-3:2007+A1:2011+AC:2012 , EN 60335-1:2012+A11+A13+A1+A14+A2+A15:2021, Part 19.11.4**  
 Noise class **I (ISO 3822)**  
 Protection class **IP 55 / transformer IP 20**

### Approvals and Declarations

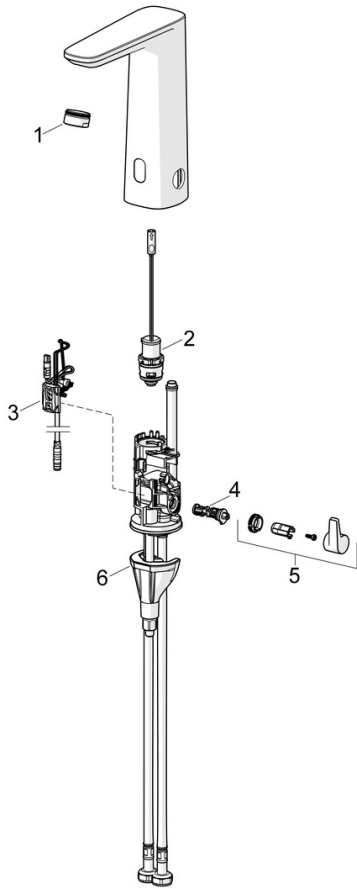
Declaration of conformity **RED**  
 EPD **S-P-07753**

### Sustainability

EPD module A1 (kg CO2 eq.) **3,15**  
 EPD module A2 (kg CO2 eq.) **0,15**  
 EPD module A3 (kg CO2 eq.) **0,28**  
 EPD module A1-A3 (kg CO2 eq.) **3,58**  
 EPD module A4 (kg CO2 eq.) **0,14**  
 EPD module B7 (kg CO2 eq.) **930,00**  
 EPD module C2 (kg CO2 eq.) **0,01**  
 EPD module C3 (kg CO2 eq.) **0,00**  
 EPD module C4 (kg CO2 eq.) **0,85**  
 EPD module D (kg CO2 eq.) **-0,67**



## Spare parts



### SP93002009

	Name	Code
01	Aerator, M24x1 HC PCA 7.0 l/min	1016723V
02	Pilot valve	1008658V
03	Sensor, 3/9 V, Bluetooth	1012464V
04	Temperature regulator	1010630V
05	Temperature control handle	1017587V
06	Fixing set	59914475