



EAN: 4057304019470  
[static.hansa.com/92731129](https://static.hansa.com/92731129)

Electra 92 series give you a clean classic design with beautiful round body flowing into round spout design with a clear design line framing the faucet design.

A Classic design for any installation.

#### Key Features

- non-pressurized Aerator for pressureless hotwater systems
- Newest Sensor technology for better detection and operation comfort
- Bluetooth technology for easy adjustment to personalize settings
- Antiscalding protection
- Temperature measurement
- Digital Network Service
- Power Plug

Bluetooth Touchless faucet with low-pressure aerator.

Easy grip temperature lever for good grip and easy adjustment.

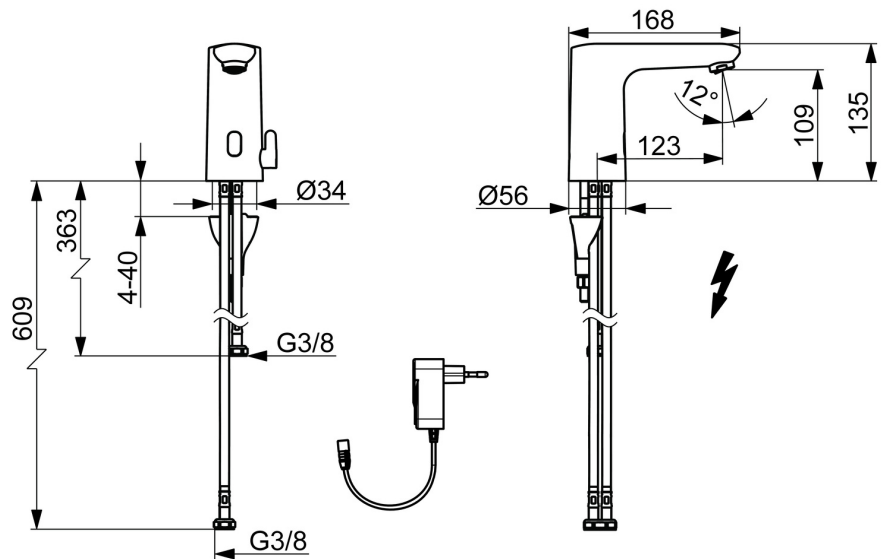
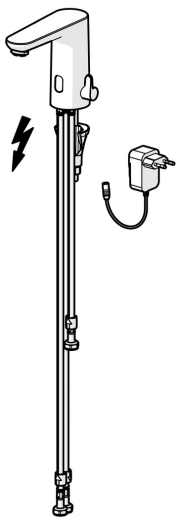
SMART intelligent bluetooth sensor with 3 optical lenses for improved performance supported by app connection for personalized and easy adjustment of sensor settings.

Supports Digital Network Service for remote monitoring and communication.

Intelligent temperature measurement and intelligent Antiscalding protection.

Brass casted construction and easy installation due to fast and easy 3S installation system.

- Washbasin
- Public & Semi-public, Industry, Housing
- Touchless, Plug transformer, Low pressure, Bluetooth®
- Deck mounted
- Chrome
- Fixed spout
- Laminar stream
- Temperature control handle
- Smart antiscalding protection, Temperature preset fixable, Adjustable hot water stop (included, retrofittable)
- Mixing valve for manual temperature control, Non-return valve(s), Litter filter(s)
- Advanced PSD sensor, Power supply, Light indicated function(s)
- Flexible inlet pipes
- 3S-installation system for safe and simple mounting, Software settings adjustable via App, Convertible for cold or premixed-water supply
- grease without Silicon



## Technical data

### Flow properties

Flow-rate at 3 bar **4.2 l/min**

### Technical properties

Hot water supply **max. +70°C**  
 Working pressure **1-10 bar**  
 Connection size **G3/8**  
 Projection **123 mm**  
 Backflow prevention (EN1717) **AA**  
 Material **Brass**

### Software settings

Afterflow period **3 s (1-20 s)**  
 Automatic flush **off (off/1-120 h)**  
 Automatic flush period **30 s (1-1800 s)**  
 Max. flow period **2 min (1 - 1800 s)**

### Electronic properties

Electrical Connection **230 / 9 V**  
 Bluetooth version **5.x (D060576)**

### Regulations

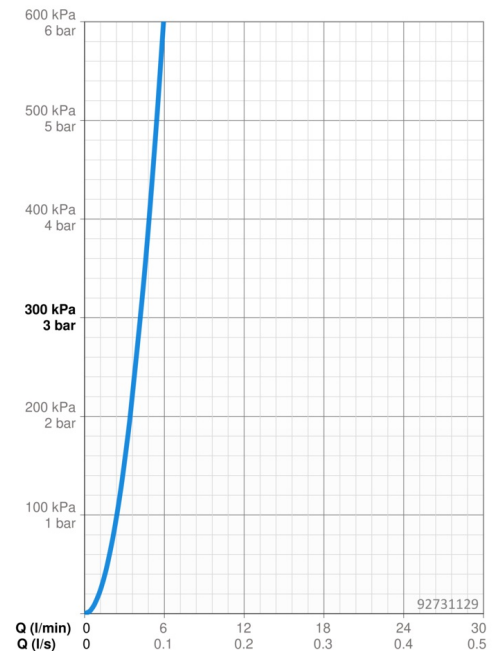
EU Directives **C € Radio Equipment Directive 2014/53/EU , Low Voltage Directive 2014/35/EU , EMC Directive 2014/30/EU , RoHS Directive 2011/65/EU**  
 EN standard **EN 15091, ETSI EN 301 489-1 V1.9.2 , ETSI EN 300 328 v2.2.2 , EN 61000-6-1:2007 , EN 61000-6-3:2007+A1:2011+AC:2012 , EN 60335-1:2012+A11+A13+A1+A14+A2+A15:2021, Part 19.11.4**  
 Noise class **I (ISO 3822)**  
 Protection class **IP 55 / transformer IP 20**

### Approvals and Declarations

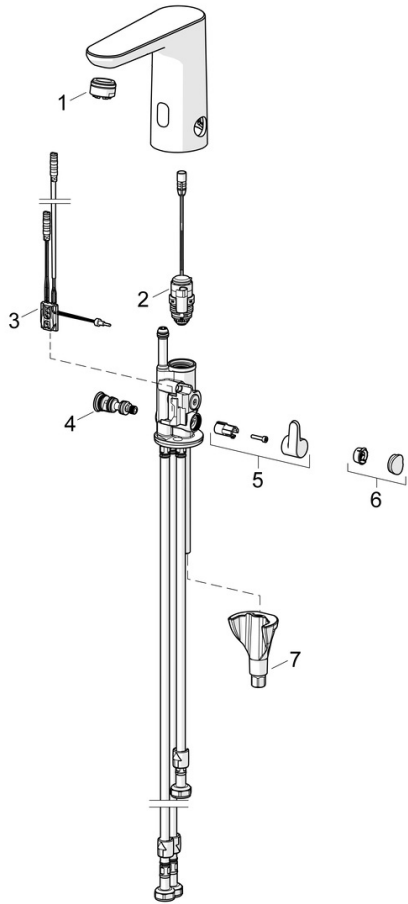
Declaration of conformity **RED**  
 EPD **S-P-06394**

### Sustainability

EPD module A1 (kg CO2 eq.) **9,64**  
 EPD module A2 (kg CO2 eq.) **0,44**  
 EPD module A3 (kg CO2 eq.) **0,52**  
 EPD module A1-A3 (kg CO2 eq.) **10,60**  
 EPD module A4 (kg CO2 eq.) **0,39**  
 EPD module B7 (kg CO2 eq.) **301,00**  
 EPD module C2 (kg CO2 eq.) **0,02**  
 EPD module C3 (kg CO2 eq.) **0,02**  
 EPD module C4 (kg CO2 eq.) **0,29**  
 EPD module D (kg CO2 eq.) **-7,73**



## Spare parts



### SP92031129

|    | <b>Name</b>                    | <b>Code</b> |
|----|--------------------------------|-------------|
| 01 | Aerator, M24x1 A, low pressure | 59902692    |
| 02 | Solenoid valve complete, 3 V   | 59914125    |
| 03 | Sensor, 3/9 V, Bluetooth       | 1015155V    |
| 04 | Temperature regulator          | 1013940V    |
| 05 | Temperature control handle     | 1016155V    |
| 06 | Cover plug                     | 1015252V    |
| 07 | Fixing set                     | 59914475    |