

EAN: 4057304020155  
[static.hansa.com/92512219](http://static.hansa.com/92512219)



Electra 92 series give you a clean classic design with beautiful round body flowing into round spout design with a clear design line framing the faucet design.

A Classic design for any installation.

#### Key Features

- Aerator with Tilt function +/- 10° for more flexible installation
- Newest Sensor technology for better detection and operation comfort
- Bluetooth technology for easy adjustment to personalize settings
- Cold Water faucet
- Battery and power cable

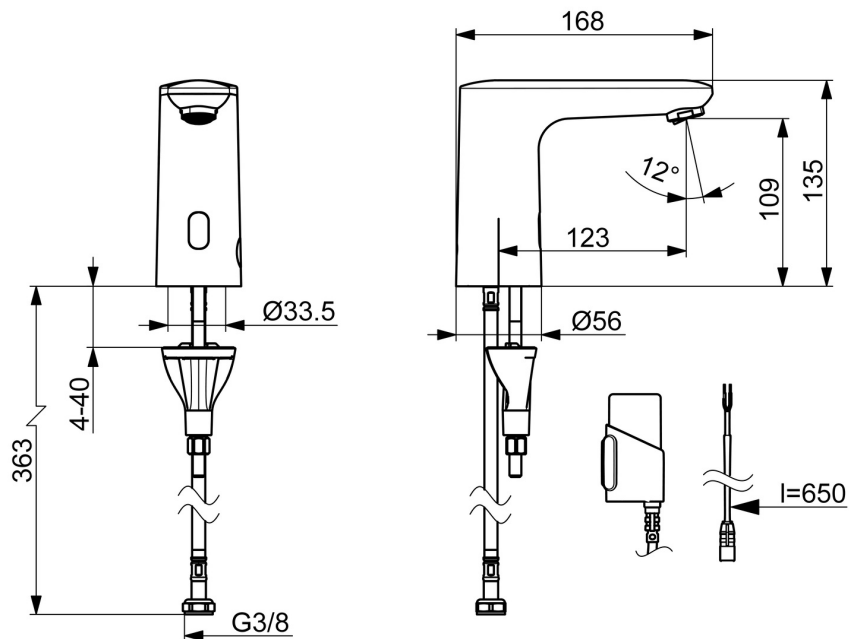
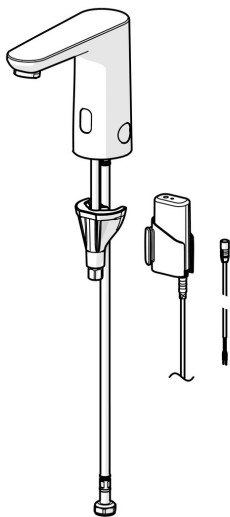
Bluetooth Touchless faucet with tilt aerator. +/- 10° adjustment option.

SMART intelligent bluetooth sensor with 3 optical lenses for improved performance supported by app connection for personalized and easy adjustment of sensor settings.

Intelligent temperature measurement and intelligent Antiscalding protection.

Brass casted construction and easy installation due to fast and easy 3S installation system

- Washbasin
- Public & Semi-public, Housing
- Touchless, Battery-operated, External transformer, Bluetooth®
- Deck mounted
- Chrome
- Fixed spout
- PCA® - constant flow rate regardless of pressure variations, Adjustable flow angle
- Non-return valve(s), Litter filter(s)
- Advanced PSD sensor, Light indicated function(s), Low battery indicator
- One inlet for cold or premixed water
- 3S-installation system for safe and simple mounting, Software settings adjustable via App
- grease without Silicon



## Technical data

### Flow properties

Flow-rate at 3 bar (with flow controller) **6.6 l/min**

### Technical properties

Hot water supply **max. +70°C**  
 Working pressure **1-10 bar**  
 Connection size **G3/8**  
 Projection **123 mm**  
 Backflow prevention (EN1717) **EB**  
 Material **Brass**

### Software settings

Afterflow period **3 s (1-20 s)**  
 Automatic flush **off (off/1-120 h)**  
 Automatic flush period **30 s (1-1800 s)**  
 Max. flow period **2 min (1 - 1800 s)**

### Electronic properties

Electrical Connection **9 V**  
 Battery **AA 1.5 V Lithium x 2**  
 Bluetooth version **5.x (D060576)**

### Regulations

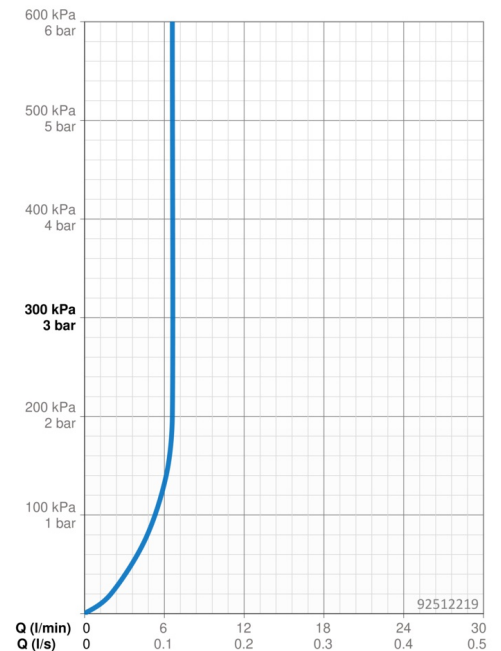
EU Directives **C € Radio Equipment Directive 2014/53/EU , Low Voltage Directive 2014/35/EU , EMC Directive 2014/30/EU , RoHS Directive 2011/65/EU**  
 EN standard **EN 15091, ETSI EN 301 489-1 V1.9.2 , ETSI EN 300 328 v2.2.2 , EN 61000-6-1:2007 , EN 61000-6-3:2007+A1:2011+AC:2012 , EN 60335-1:2012+A11+A13+A14+A2+A15:2021, Part 19.11.4**  
 Noise class **I (ISO 3822)**  
 Protection class **IP 55**

### Approvals and Declarations

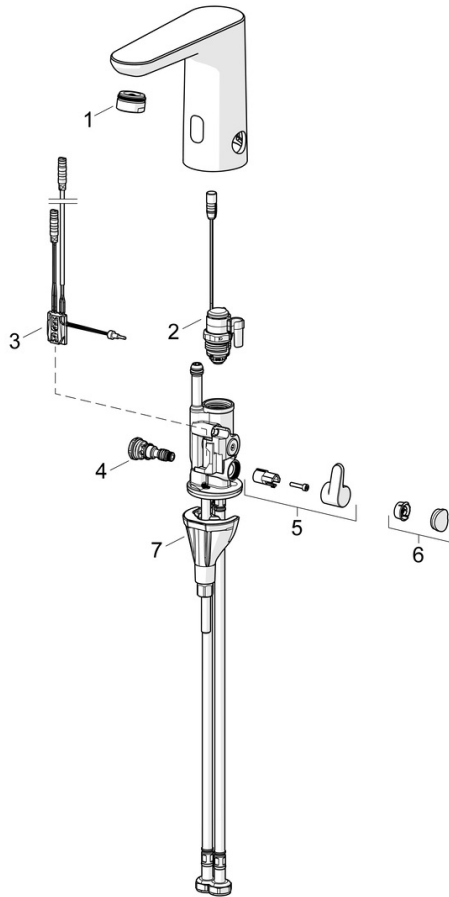
Declaration of conformity **RED**  
 EPD **S-P-06394**

### Sustainability

EPD module A1 (kg CO2 eq.) **9,78**  
 EPD module A2 (kg CO2 eq.) **0,45**  
 EPD module A3 (kg CO2 eq.) **0,53**  
 EPD module A1-A3 (kg CO2 eq.) **10,75**  
 EPD module A4 (kg CO2 eq.) **0,39**  
 EPD module B7 (kg CO2 eq.) **473,00**  
 EPD module C2 (kg CO2 eq.) **0,02**  
 EPD module C3 (kg CO2 eq.) **0,02**  
 EPD module C4 (kg CO2 eq.) **0,30**  
 EPD module D (kg CO2 eq.) **-7,84**



## Spare parts



### SP92602219

	Name	Code
01	Aerator, M24x1 HC PCA 7.0 l/min	1016723V
02	Solenoid valve complete, 3 V	59914125
03	Sensor, 3/9 V, Bluetooth	1015155V
04	Temperature regulator	1000580V
05	Temperature control handle	1016155V
06	Cover plug	1015252V
07	Fixing set	59914475
N.I.	Battery, 1.5 V AA Lithium	59914136