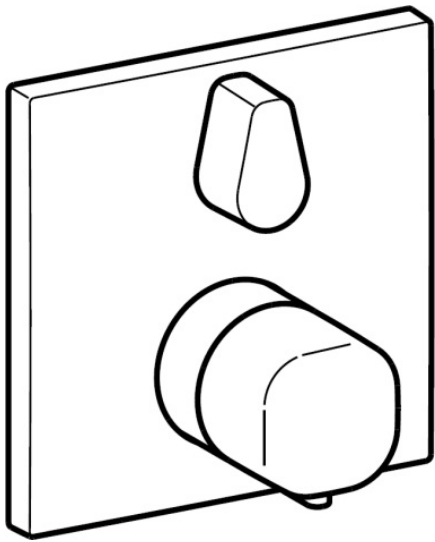


EAN: 4057304008832  
[static.hansa.com/89950000](https://static.hansa.com/89950000)



- Bathtub & Shower
- Trim Kit, Thermostatic
- Concealed wall mounting
- Chrome
- Manual, ceramic, pressure independent diverter with volume control and stop function for two outlets



## Technical data

### Flow properties

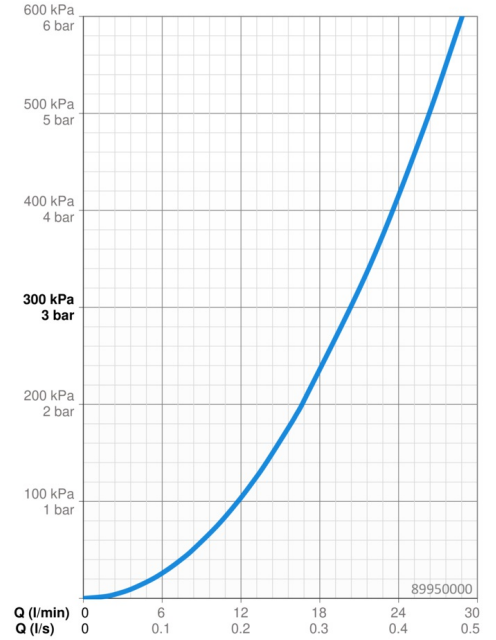
Flow-rate at 3 bar **20.4 / 20.4 l/min**

### Technical properties

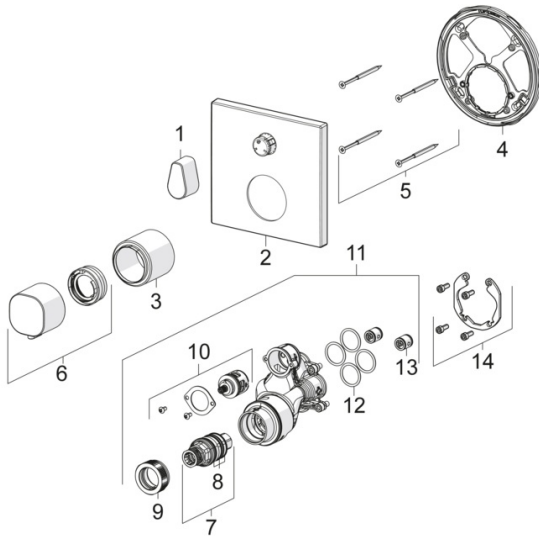
DN-size (nominal dimension) **DN15**  
 Working pressure **0.5-10 bar**

### Approvals and Declarations

DVGW **DW-6517CT0297**  
 ABP **PA-IX 38188/IDD**  
 Declaration of conformity **DoC**

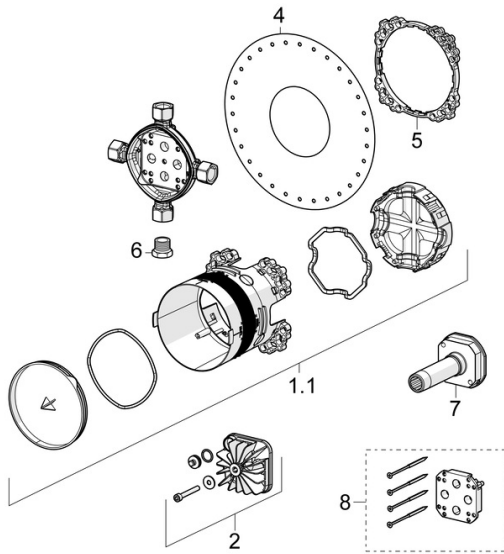


## Spare parts



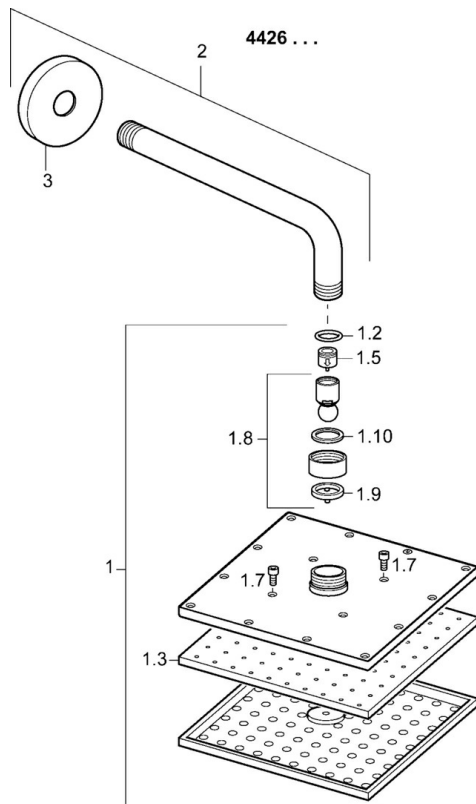
### SP81139562

	Name	Code
01	Flow control handle	59914577
02	Cover flange, 150x150 mm	59914315
03	Cover sleeve	59914294
04	Fixing part	59914307
05	Screw, M4.5x80	59912890
06	Temperature control handle	59914295
07	Thermostatic cartridge, 3.4	59914114
08	O-ring kit	59914113
09	Tightening nut, M36x1.5, SW38	59914319
10	Diverter	59914183
11	Functional unit, (8114, 8862)	59914311
11	Functional unit, (8113, 8861)	59914316
12	O-ring, 23.47x2.62	59914304
13	Non-return valve	59905714
14	Installation kit	59914186
N.I.	Raising kit, 15 mm, 150x150 mm	59914192
N.I.	Adapter, H/C reversed	59914184
N.I.	Raising kit, 15 mm	59914182
N.I.	Fixing screw, M6x13	59914657
N.I.	Diverter, 240°	59914656
N.I.	Temperature adjustment limiter, max 38°C	59914619
N.I.	Diverter, 120°	59914655



### SP80000000

	Name	Code
1.1	Installation box	59914329
2	Plug	59914330
4	Gasket	59914332
5	Ring	59914331
6	Plug, G1/2	59905013
7	Flush connector	59914185
8	Raising kit, 15 mm	59914182
N.I.	Plug Discontinued	59914636
N.I.	Adapter, H/C reversed	59914184



### SP44260240

	Name	Code
1	Overhead shower, 200x200 mm	59913873
1.3	Nozzle plate, 200x200 mm, (-2019) Discontinued	59913874
1.6	Flow limiter	59913753
1.7	Screw	59913754
2	Shower pipe, L=350	59913748
3	Cover flange, d 65 mm	59913750

### SP44250100

	Name	Code
N.I.	Flow limiter	59912777