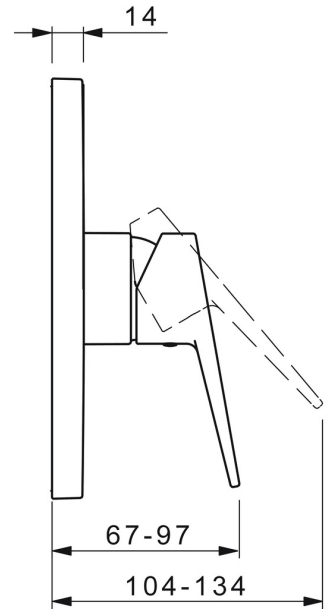
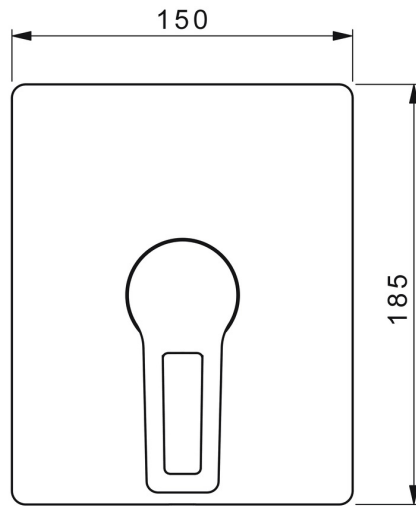
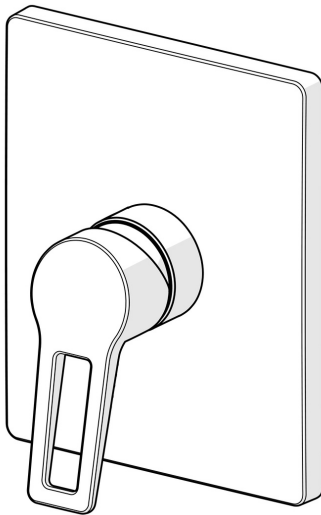


EAN: 4015474285569
static.hansa.com/89859085



- Shower solutions
- Single-lever, Trim Kit
- Concealed wall mounting
- Chrome
- Loop shape, Hot/Cold symbols, Single operating lever/handle
- Limitation option for maximum temperature and flow-rate, Adjustable hot water stop (included, retrofittable)
- \varnothing 35 mm ceramic cartridge for flow and temperature control
- Inner body made of DZR brass
- Square rosette, BLUECLICK for an easy, screwless trim plate installation



Technical data

Flow properties

Flow-rate at 3 bar **20.4 l/min**

Technical properties

Hot water supply **max. +80°C**
Working pressure **0.5-10 bar**

Regulations

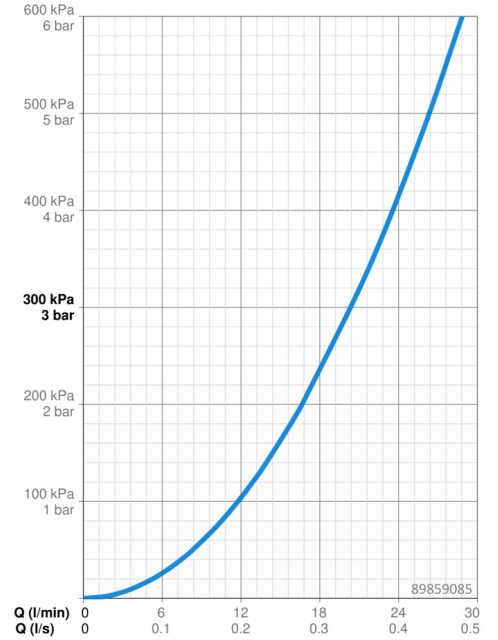
EN standard **EN 817**
Noise class **I (ISO 3822)**

Approvals and Declarations

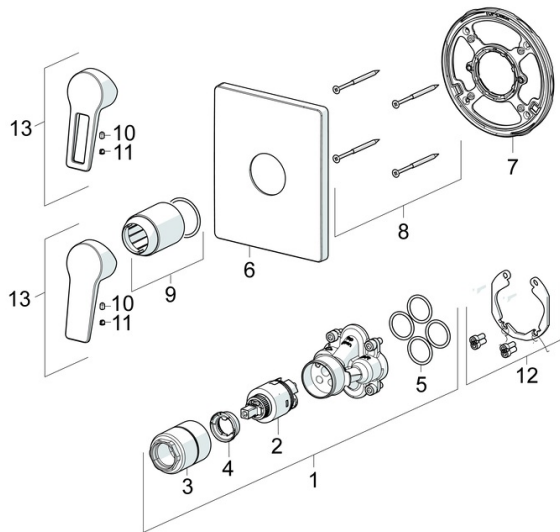
DVGW **DW-6506CS0196**
ABP **PA-IX 38160/IB**
Declaration of conformity **DoC**
EPD **S-P-07752**

Sustainability

EPD module A1 (kg CO2 eq.) **11,33**
EPD module A2 (kg CO2 eq.) **0,36**
EPD module A3 (kg CO2 eq.) **7,07**
EPD module A1-A3 (kg CO2 eq.) **18,69**
EPD module A4 (kg CO2 eq.) **0,31**
EPD module B7 (kg CO2 eq.) **3937,20**
EPD module C2 (kg CO2 eq.) **0,02**
EPD module C3 (kg CO2 eq.) **0,02**
EPD module C4 (kg CO2 eq.) **0,24**
EPD module D (kg CO2 eq.) **-5,78**



Spare parts



SP89859083

| | Name | Code |
|------|--------------------------------|----------|
| 01 | Functional unit, 3.5 | 59914303 |
| 02 | Cartridge, 3.5 Classic | 59913075 |
| 03 | Screw sleeve, M38x1 | 59912115 |
| 04 | Temperature adjustment limiter | 59912325 |
| 05 | O-ring, 23.47x2.62 | 59914304 |
| 06 | Cover flange, 185x150 mm | 59914328 |
| 07 | Fixing part | 59914511 |
| 08 | Screw, M4.5x80 | 59912890 |
| 09 | Cover sleeve | 59912511 |
| 10 | Screw, M5x8, SW2.5 | 59904755 |
| 11 | Symbol plug Grey | 59912112 |
| 12 | Installation kit | 59914186 |
| 13 | Lever | 59913911 |
| 13 | Lever | 59913910 |
| N.I. | Fixing screw, M6x13 | 59914657 |
| N.I. | Raising kit, 15 mm | 59914182 |
| N.I. | Adapter, H/C reversed | 59914184 |