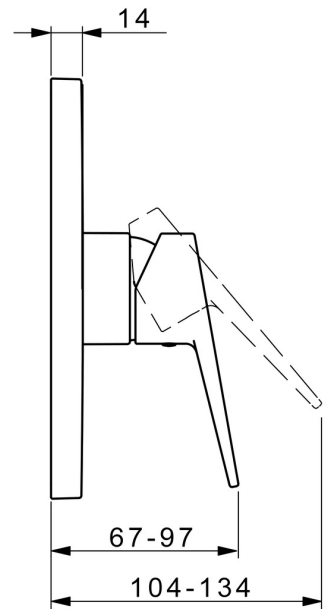
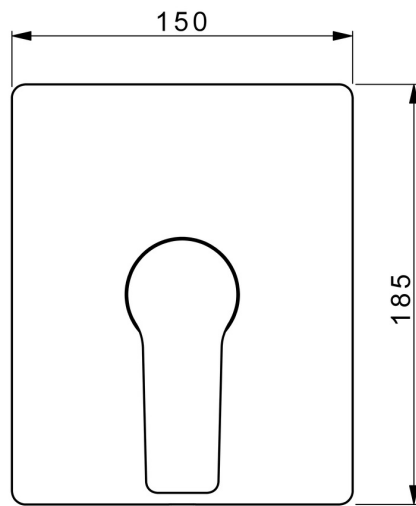
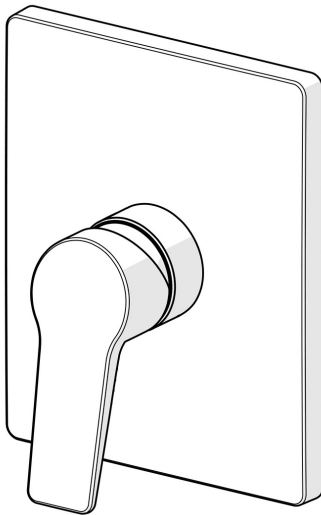


EAN: 4015474285552
static.hansa.com/89859083



- Shower solutions
- Single-lever, Trim Kit
- Concealed wall mounting
- Chrome
- Hot/Cold symbols, Single operating lever/handle
- Limitation option for maximum temperature and flow-rate, Adjustable hot water stop (included, retrofittable)
- \varnothing 35 mm ceramic cartridge for flow and temperature control
- Inner body made of DZR brass
- Square rosette, Fastening of the function unit with screws, BLUECLICK for an easy, screwless trim plate installation



Technical data

Flow properties

Flow-rate at 3 bar **20.4 l/min**

Technical properties

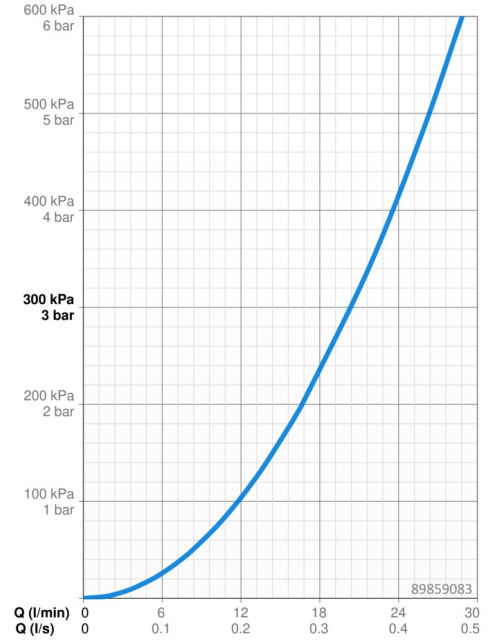
Hot water supply **max. +80°C**
Working pressure **0.5-10 bar**

Regulations

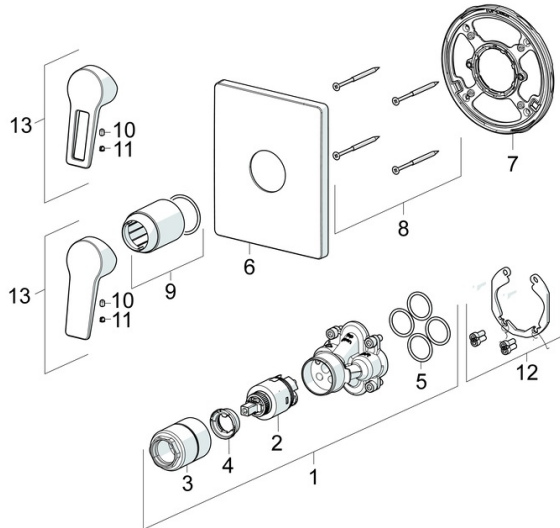
EN standard **EN 817**
Noise class **I (ISO 3822)**

Approvals and Declarations

DVGW **DW-6506CS0196**
ABP **PA-IX 38160/IB**
Declaration of conformity **DoC**
EPD **S-P-07752**



Spare parts



SP89859083

	Name	Code
01	Functional unit, 3,5	59914303
02	Cartridge, 3,5 Classic	59913075
03	Screw sleeve, M38x1	59912115
04	Temperature adjustment limiter	59912325
05	O-ring, 23.47x2.62	59914304
06	Cover flange, 185x150 mm	59914328
07	Fixing part	59914511
08	Screw, M4.5x80	59912890
09	Cover sleeve	59912511
10	Screw, M5x8, SW2.5	59904755
11	Symbol plug Grey	59912112
12	Installation kit	59914186
13	Lever	59913911
13	Lever	59913910
N.I.	Fixing screw, M6x13	59914657
N.I.	Raising kit, 15 mm	59914182
N.I.	Adapter, H/C reversed	59914184