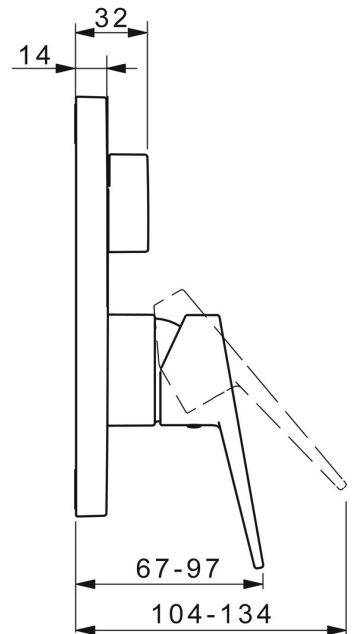
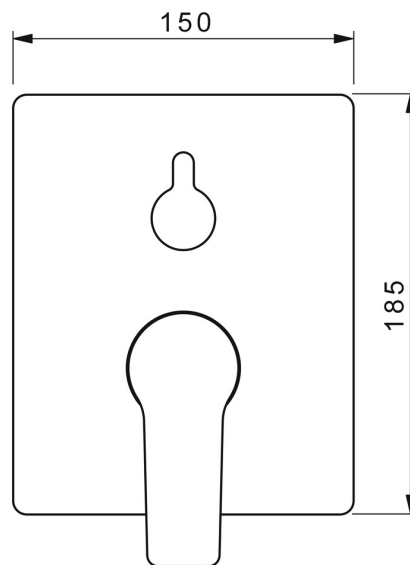
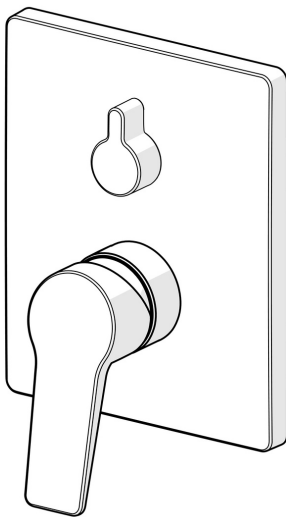


EAN: 4015474285606
static.hansa.com/89849083



- Bathtub & Shower
- Single-lever, Trim Kit
- Concealed wall mounting
- Chrome
- Hot/Cold symbols, Single operating lever/handle
- Turn operated diverter
- Limitation option for maximum temperature and flow-rate, Adjustable hot water stop (included, retrofittable)
- \varnothing 35 mm ceramic cartridge for flow and temperature control
- Inner body made of DZR brass
- Square rosette, Fastening of the function unit with screws, BLUECLICK for an easy, screwless trim plate installation, BLUETUNE alignment after installation of +/- 3,5°



Technical data

Flow properties

Flow-rate at 3 bar **21.0 / 21.0 l/min**

Technical properties

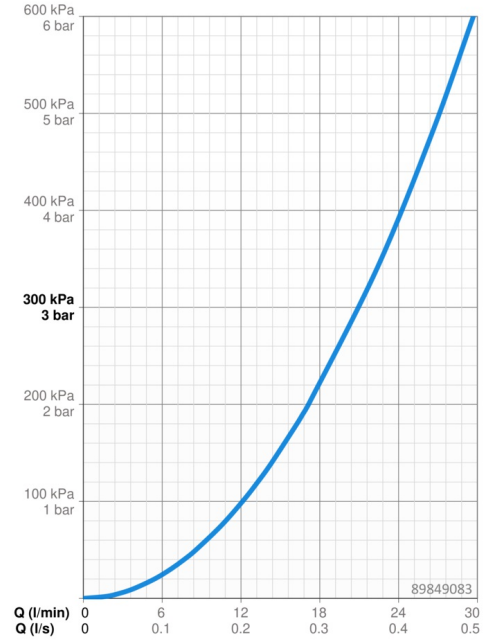
Hot water supply **max. +80°C**
Working pressure **0.5-10 bar**

Regulations

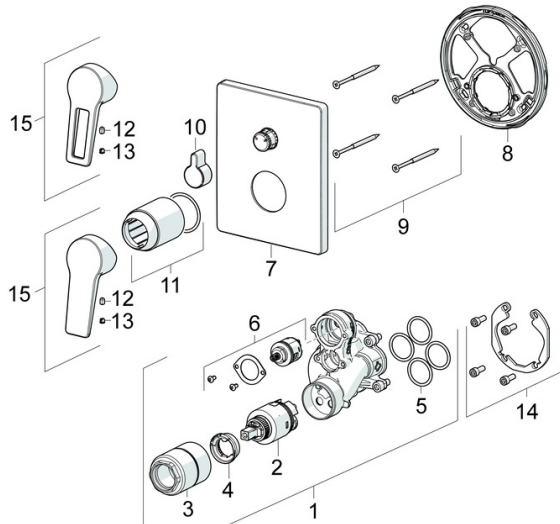
EN standard **EN 817**
Noise class **I (ISO 3822)**

Approvals and Declarations

DVGW **DW-6506CS0196**
ABP **PA-IX 38161/IDC**
Declaration of conformity **DoC**



Spare parts



SP89849083

	Name	Code
01	Functional unit, 3,5	59914299
02	Cartridge, 3,5 Classic	59913075
03	Screw sleeve, M38x1	59912115
04	Temperature adjustment limiter	59912325
05	O-ring, 23.47x2.62	59914304
06	Diverter	59914183
07	Cover flange, 185x150 mm	59914327
08	Fixing part	59914307
09	Screw, M4.5x80	59912890
10	Diverter knob	59914324
11	Cover sleeve	59912511
12	Screw, M5x8, SW2.5	59904755
13	Symbol plug Grey	59912112
14	Installation kit	59914186
15	Lever	59913911
15	Lever	59913910
N.I.	Raising kit, 15 mm	59914182
N.I.	Fixing screw, M6x13	59914657
N.I.	Diverter, 120°	59914655
N.I.	Adapter, H/C reversed	59914184