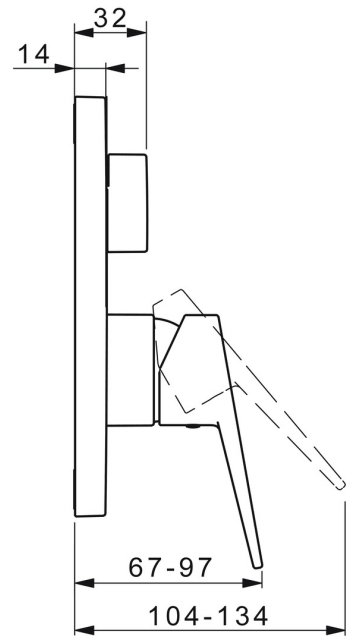
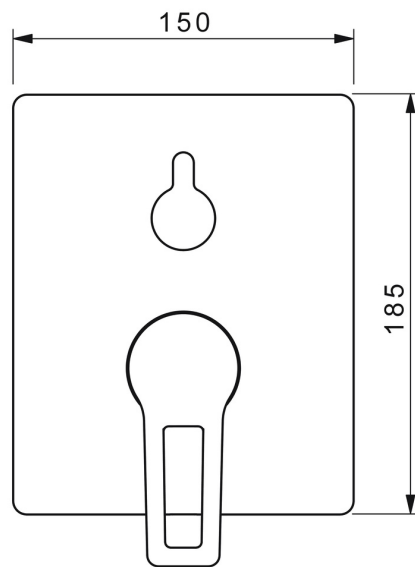
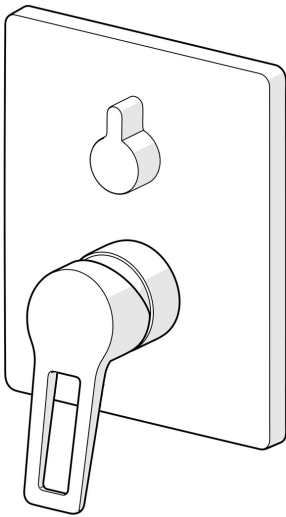


EAN: 4015474285583
static.hansa.com/89843085



- Bathtub & Shower
- Single-lever, Trim Kit
- Concealed wall mounting
- Chrome
- Single operating lever/handle, Loop shape, Hot/Cold symbols
- Turn operated diverter
- Limitation option for maximum temperature and flow-rate, Adjustable hot water stop (included, retrofittable)
- Vacuum breaker, Non-return valve(s), \varnothing 35 mm ceramic cartridge for flow and temperature control
- Inner body made of DZR brass
- Square rosette, Fastening of the function unit with screws, BLUECLICK for an easy, screwless trim plate installation, BLUETUNE alignment after installation of +/- 3,5°



Technical data

Flow properties

Flow-rate at 3 bar **21.0 / 21.0 l/min**

Technical properties

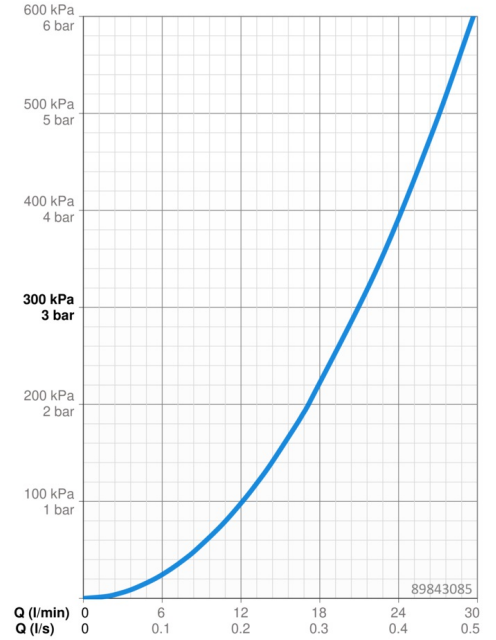
Hot water supply **max. +80°C**
 Working pressure **0.5-10 bar**
 Backflow prevention (EN1717) **HD**

Regulations

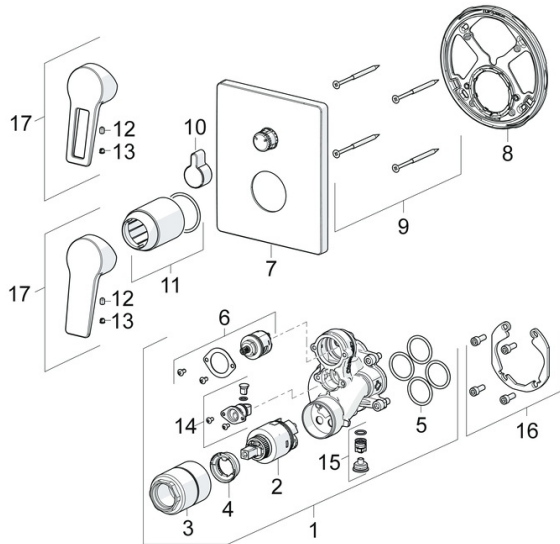
EN standard **EN 817**

Approvals and Declarations

DVGW **DW-6506CS0196**
 Declaration of conformity **DoC**
 EPD **S-P-07752**



Spare parts



SP89843083

	Name	Code
01	Functional unit, 3,5	59914298
02	Cartridge, 3,5 Classic	59913075
03	Screw sleeve, M38x1	59912115
04	Temperature adjustment limiter	59912325
05	O-ring, 23.47x2.62	59914304
06	Diverter	59914183
07	Cover flange, 185x150 mm	59914327
08	Fixing part	59914307
09	Screw, M4.5x80	59912890
10	Diverter knob	59914324
11	Cover sleeve	59912511
12	Screw, M5x8, SW2.5	59904755
13	Symbol plug Grey	59912112
14	Vacuum breaker	59914335
15	Non-return valve	59914336
16	Installation kit	59914186
17	Lever	59913911
17	Lever	59913910
N.I.	Raising kit, 15 mm	59914182
N.I.	Fixing screw, M6x13	59914657
N.I.	Diverter, 120°	59914655
N.I.	Adapter, H/C reversed	59914184