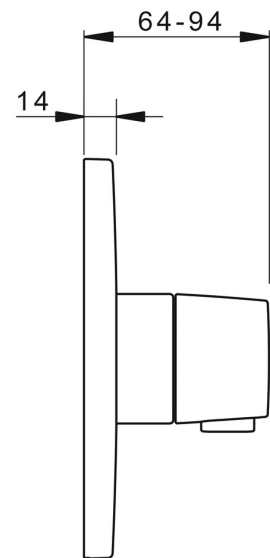
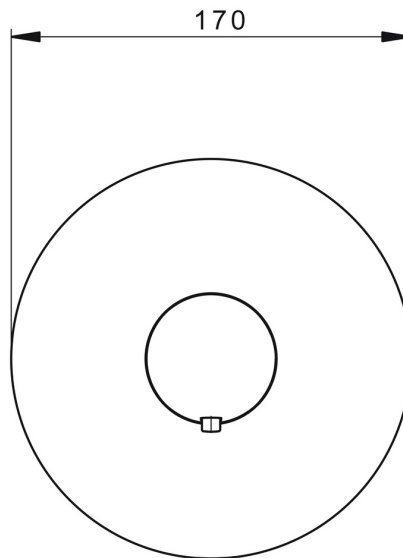
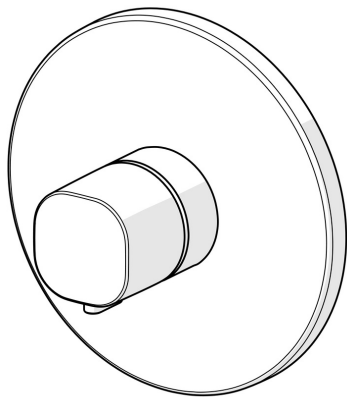


EAN: 4015474287198  
[static.hansa.com/88669501](https://static.hansa.com/88669501)



- Shower solutions
- Trim Kit, Thermostatic
- Concealed wall mounting
- Chrome
- Temperature control handle
- Safety stop against scalding at 38°C
- Thermostatic cartridge for automatic temperature control, Non-return valve(s)
- Silencer(s)
- Rosette plate frame, Round rosette, Sleeve, Fastening of the function unit with screws, BLUECLICK for an easy, screwless trim plate installation
- Without flow control, Without diverter



## Technical data

### Flow properties

Flow-rate at 3 bar **25.8 l/min**

### Technical properties

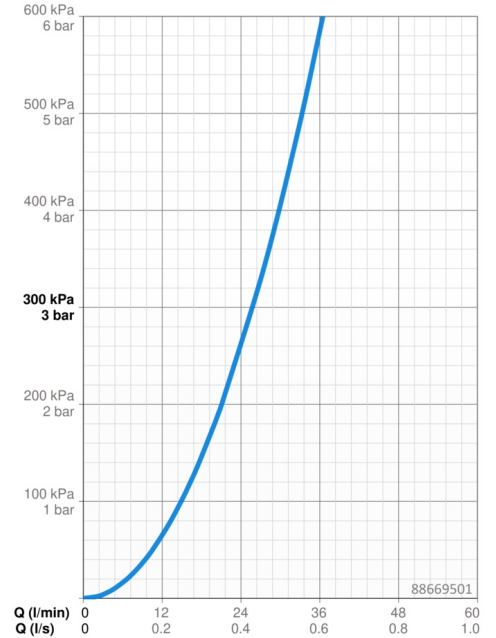
Hot water supply **max. +80°C**  
 Working pressure **0.5-10 bar**  
 Backflow prevention (EN1717) **EB**  
 Material **Brass**

### Regulations

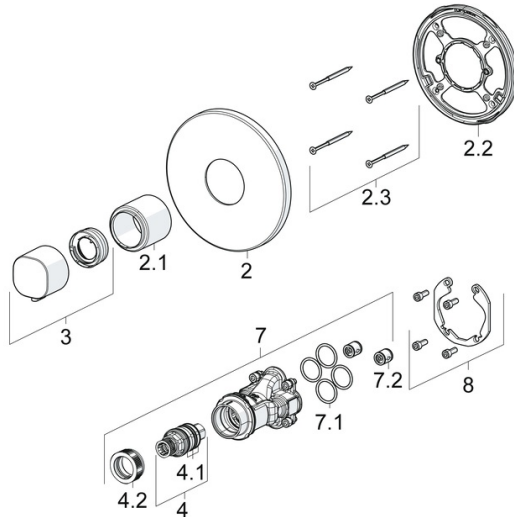
EN standard **EN 1111**  
 Noise class **I (ISO 3822)**

### Approvals and Declarations

DVGW **DW-6509CS0197**  
 ABP **PA-IX 38190/I**  
 Declaration of conformity **DoC**  
 EPD **S-P-07752**



## Spare parts



### SP88669501

	Name	Code
1.1	Temperature adjustment limiter	59914426
2	Cover flange, d 170 mm	59914318
2.1	Cover sleeve	59914294
2.2	Fixing part	59914296
2.3	Screw, M4.5x80	59912890
3	Temperature control handle	59914295
4	Thermostatic cartridge, 3.4	59914114
4.1	O-ring kit	59914113
4.2	Tightening nut, M36x1.5, SW38	59914319
7	Functional unit	59914293
7.1	O-ring, 23.47x2.62	59914304
7.2	Non-return valve	59905714
8	Installation kit	59914186
N.I.	Adapter, H/C reversed	59914184
N.I.	Raising kit, 15 mm	59914182
N.I.	Silencer	59904792
N.I.	Fixing screw, M6x13	59914657
N.I.	Temperature adjustment limiter, max 38°C	59914619
N.I.	Raising kit, 15 mm, d 170 mm	59914191