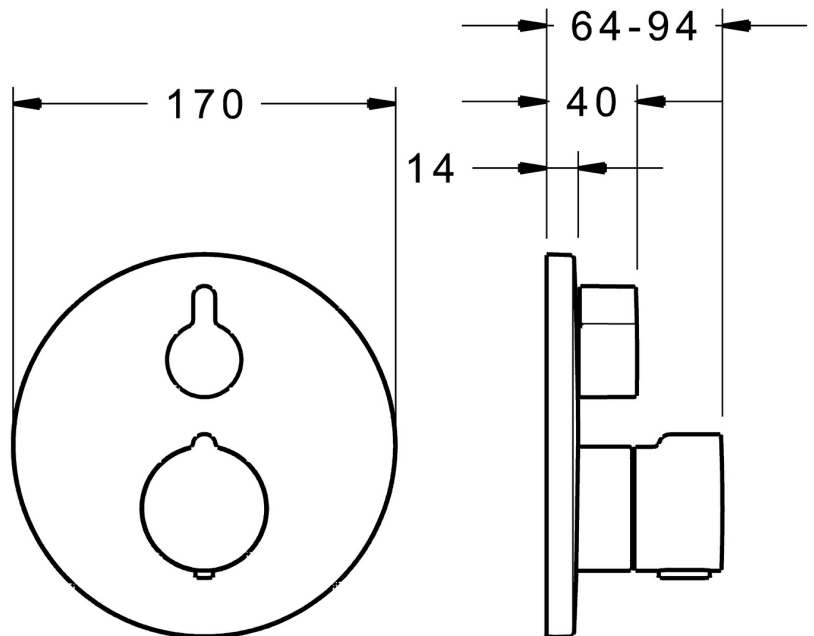
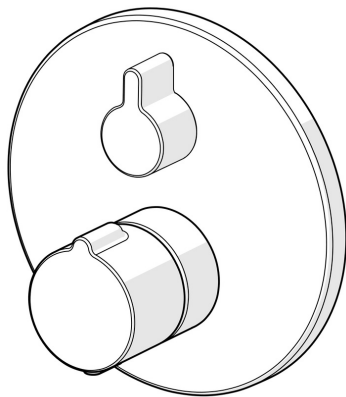


EAN: 4015474279148
static.hansa.com/88623045



- Bathtub & Shower
- Thermostatic, Trim Kit
- Concealed wall mounting
- Chrome
- Temperature control handle, Flow control handle
- Turn operated diverter
- Safety stop against scalding at 38°C
- Thermostatic cartridge for automatic temperature control, Vacuum breaker, Non-return valve(s)
- Silencer(s)
- Inner body made of DZR brass, Manual, ceramic, pressure independent diverter with volume control and stop function for two outlets
- Round rosette, Fastening of the function unit with screws, BLUECLICK for an easy, screwless trim plate installation, BLUETUNE alignment after installation of +/- 3,5°



Technical data

Flow properties

Flow-rate at 3 bar **20.4 / 20.4 l/min**

Technical properties

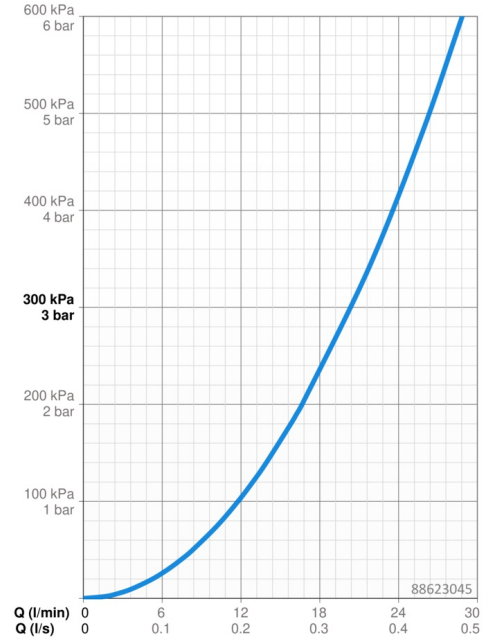
Hot water supply **max. +80°C**
 Working pressure **1-10 bar**
 Backflow prevention (EN1717) **HD**

Regulations

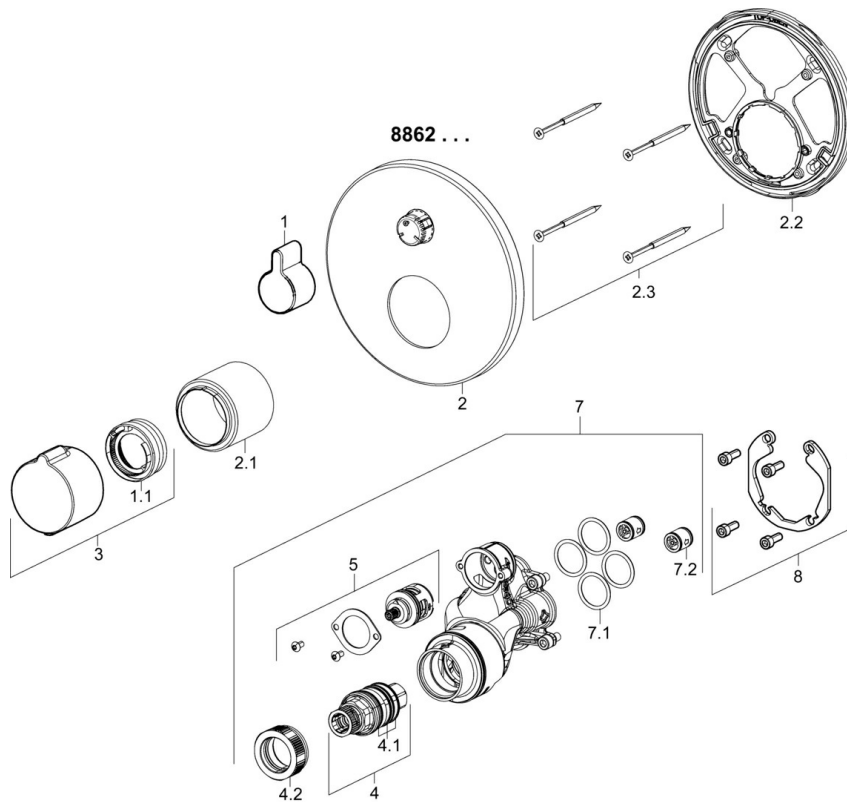
EN standard **EN 1111**
 Noise class **I (ISO 3822)**

Approvals and Declarations

ABP **PA-IX 38189/IDD**
 Declaration of conformity **DoC**



Spare parts



SP88623045

	Name	Code
1	Handle	59914322
1.1	Temperature adjustment limiter	59914426
2	Cover flange, d 170 mm	59914317
2.1	Cover sleeve	59914294
2.2	Fixing part	59914307
2.3	Screw, M4,5x80	59912890
3	Temperature control handle	59914320
4	Thermostatic cartridge, 3.4	59914114
4.1	O-ring kit	59914113
4.2	Tightening nut, M36x1.5, SW38	59914319
5	Diverter	59914183
7	Functional unit, 81143572	59914314
7.1	O-ring, 23.47x2.62	59914304
7.2	Non-return valve	59905714
8	Installation kit	59914186
N.I.	Screwdriver, 5 mm	59914334
N.I.	Raising kit, 15 mm, d 170 mm	59914191
N.I.	Adapter, H/C reversed	59914184
N.I.	Raising kit, 15 mm	59914182
N.I.	Silencer	59904792
N.I.	Fixing screw, M6x13	59914657
N.I.	Temperature adjustment limiter, max 38°C	59914619
N.I.	Diverter, 240°	59914656