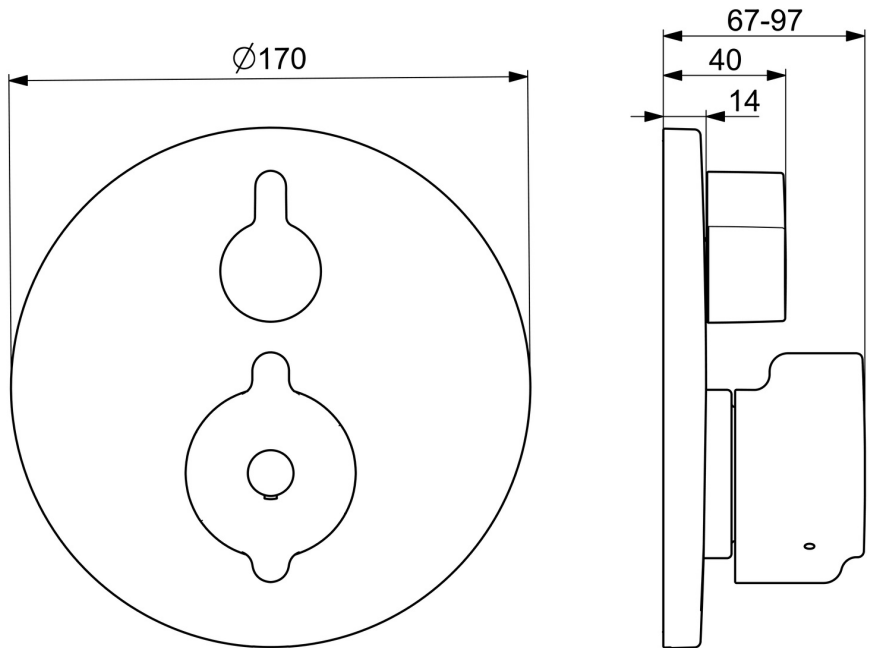
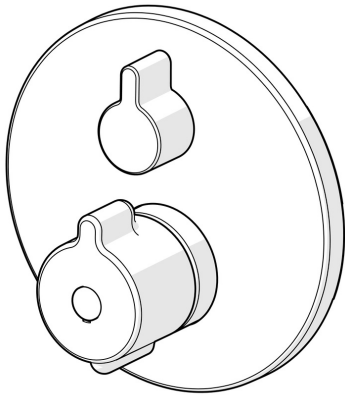


EAN: 4057304012532
static.hansa.com/88619085



- Shower solutions
- Health & Care
- Trim Kit, Thermostatic
- Concealed wall mounting
- Chrome
- Temperature control handle, Flow control handle
- Ceramic head part for flow control, Thermostatic cartridge for automatic temperature control, Non-return valve(s)
- Thermal disinfection without cartridge readjustment
- Round rosette, Function unit, BLUECLICK for an easy, screwless trim plate installation, BLUETUNE alignment after installation of +/- 3,5°
- protected against back-flow in domestic use (according to DIN EN 1717) Safety lock against scalding 38°C (36°-44°)



Technical data

Flow properties

Flow-rate at 3 bar **22.8 l/min**

Technical properties

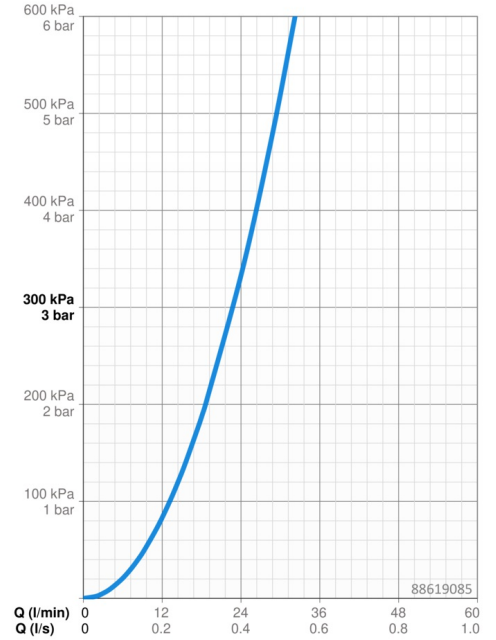
Hot water supply **max. +80°C**
 Working pressure **1-10 bar**
 Diameter **170 mm**
 Backflow prevention (EN1717) **EB**
 Material **Brass**

Regulations

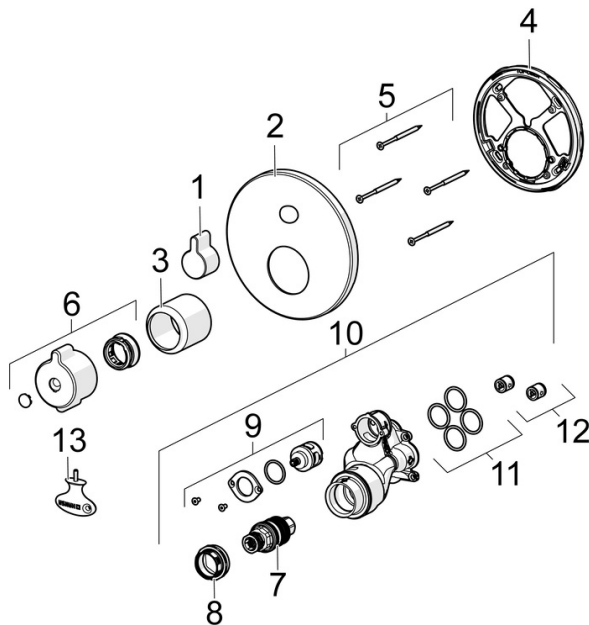
EN standard **EN 1111**
 Noise class **I (ISO 3822)**

Approvals and Declarations

DVGW **DW-6509CS0197**
 ABP **PA-IX 38187/IC**
 Declaration of conformity **DoC**
 EPD **S-P-07752**



Spare parts



SP88619085

	Name	Code
01	Handle	59914322
02	Cover flange, d 170 mm	59914317
03	Cover sleeve	59914294
04	Fixing part	59914307
05	Screw, M4.5x80	59912890
06	Temperature control handle	59914754
07	Thermostatic cartridge, 3.4	59914114
08	Screw sleeve	59914755
09	Diverter	59914183
10	Functional unit, (8114, 8862)	59914311
10	Functional unit, (8113, 8861)	59914316
11	O-ring, 23.47x2.62	59914304
12	Non-return valve	59905714
13	Key	59914077