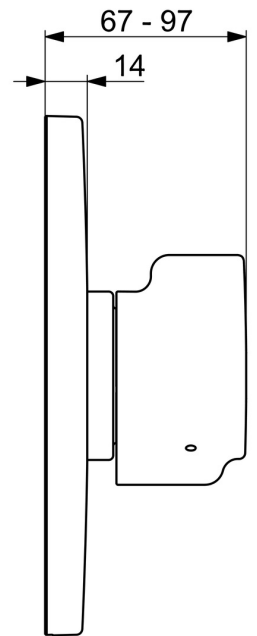
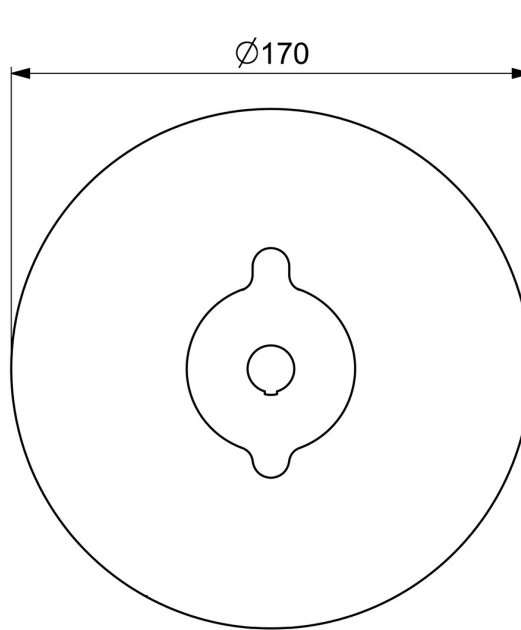
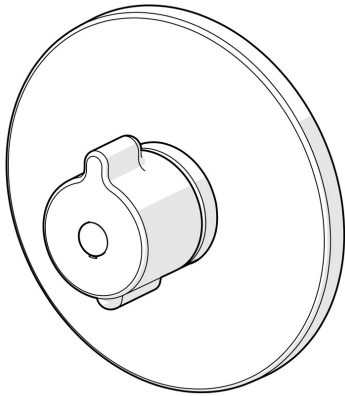


EAN: 4057304012556
static.hansa.com/88609085



- Shower solutions
- Health & Care
- Trim Kit, Thermostatic
- Concealed wall mounting
- Chrome
- Temperature control handle
- Thermostatic cartridge for automatic temperature control, Non-return valve(s)
- Thermal disinfection without cartridge readjustment
- Round rosette, Function unit, BLUECLICK for an easy, screwless trim plate installation, BLUETUNE alignment after installation of +/- 3,5°
- Without flow control, Without diverter
- protected against back-flow in domestic use (according to DIN EN 1717) Safety lock against scalding 38°C (36°-44°)



Technical data

Flow properties

Flow-rate at 3 bar **24.0 l/min**

Technical properties

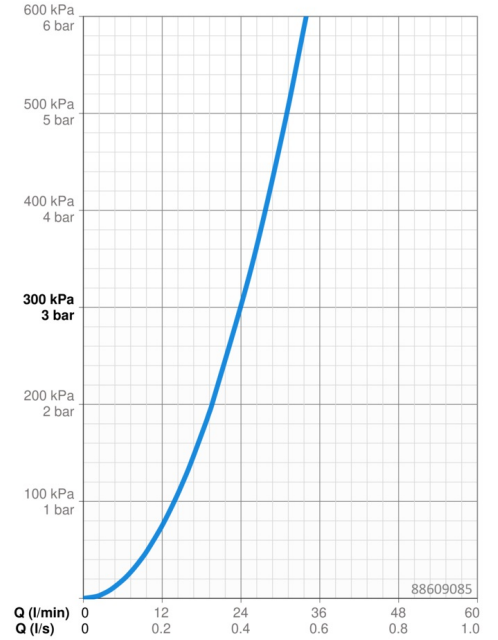
Hot water supply **max. +80°C**
 Working pressure **1-10 bar**
 Diameter **170 mm**
 Backflow prevention (EN1717) **EB**
 Material **Brass**

Regulations

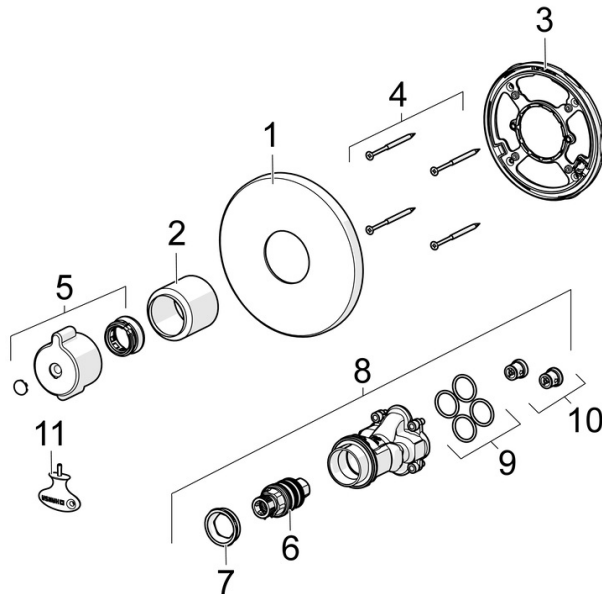
EN standard **EN 1111**
 Noise class **I (ISO 3822)**

Approvals and Declarations

DVGW **DW-6509CS0197**
 ABP **PA-IX 38190/I**
 Declaration of conformity **DoC**



Spare parts



SP88609085

	Name	Code
01	Cover flange, d 170 mm	59914318
02	Cover sleeve	59914294
03	Fixing part	59914296
04	Screw, M4.5x80	59912890
05	Temperature control handle	59914754
06	Thermostatic cartridge, 3,4	59914114
07	Screw sleeve	59914755
08	Functional unit	59914293
09	O-ring, 23.47x2.62	59914304
10	Non-return valve	59905714
11	Key	59914077